

# ACCESSORIES



**Nationwide toll free 1-866-229-3402**

**Fax 519-455-1103 • website: [www.unitedmuffler.com](http://www.unitedmuffler.com)**

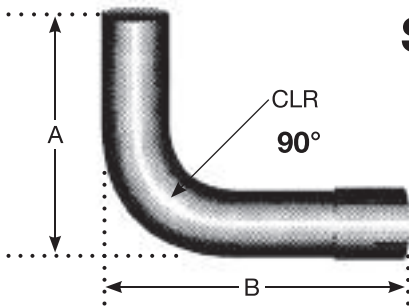
**PRODUCTION AND CUSTOM MULTI-BEND TUBES**

UP TO 180° DEGREE BENDS & 10FT. LENGTH AVAILABLE

HOSE BEADS AVAILABLE FOR AIR INTAKE, RADIATOR AND CAC TUBES

SEE CHART BELOW FOR CLR & GRIP LENGTH

GRIP = MINIMUM STRAIGHT REQUIRED BETWEEN TANGENTS ON MULTI-BEND TUBES WITHOUT A WELD.



**STOCK MANDREL BENDS**

STANDARD MATERIAL

16GA ALUMINIZED OR 304 STAINLESS

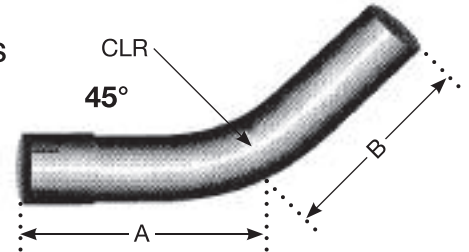
SPECIFY ENDS

OD-OD, OD-ID OR ID-ID

CHROME AVAILABLE IN

4", 5" & 6" 90° ELBOWS

LEG LENGTHS ± 1/4"



90° MANDREL BENT						45° MANDREL BENT			
SIZE	A	B	CLR	GRIP	PART NUMBER	A	B	CLR	PART NUMBER
1"	6"	6"	1"	4"	10090E	5-1/2"	5-1/2"	1"	10045E
1-1/4"	10"	10"	2"	4"	12590E	6"	6"	2"	12545E
1-1/2"	10"	10"	2"	4"	15090E	6-1/2"	6-1/2"	2"	15045E
1-3/4"	9"	9"	2"	4"	17590E	6-1/2"	6-1/2"	2"	17545E
2"	9-1/2"	9-1/2"	2-1/2"	4"	20090E	6"	6"	2-1/2"	20045E
2-1/2"	9"	9"	3"	4"	25090E	6"	6"	3"	25045E
2-3/4"	12"	12"	4"	4"	27590E				
2-3/4"	12"	12"	2-3/4"	4"	27590ETR	8"	8"	4	27545E
3"	12"	12"	4-1/2"	4"	30090E	7"	7"	4-1/2"	30045E
3"	12"	12"	3-1/2"	4"	30090ETR				
3"	10"	10"	3"	6"	30090ETR3				
3-1/2"	14"	14"	6"	6"	35090E				
3-1/2"	12"	12"	4"	6"	35090ETR	8"	8"	6"	35045E
4"	16"	16"	8"	6"	40090E8				
4"	14"	14"	6"	6"	40090E6	8"	8"	6"	40045E
4"	14"	14"	4-1/2"	6"	*40090ETR				
NEW 4-1/2"	15"	15"	4-1/2"	8"	45090ETR	10"	10"	4-1/2"	45045E
NEW 5"	19"	19"	6"	8"	*50090ETR	12"	12"	6"	50045E
NEW 5"	15"	15"	5"	8"	50090ETR5				
NEW 6"	23"	23"	9"	9"	60090E				
NEW 6"	13"	13"	6"	9"	*60090ETR	13"	13"	6"	60045E

\* CHROME AVAILABLE

**UNITED MUFFLER CORP.**

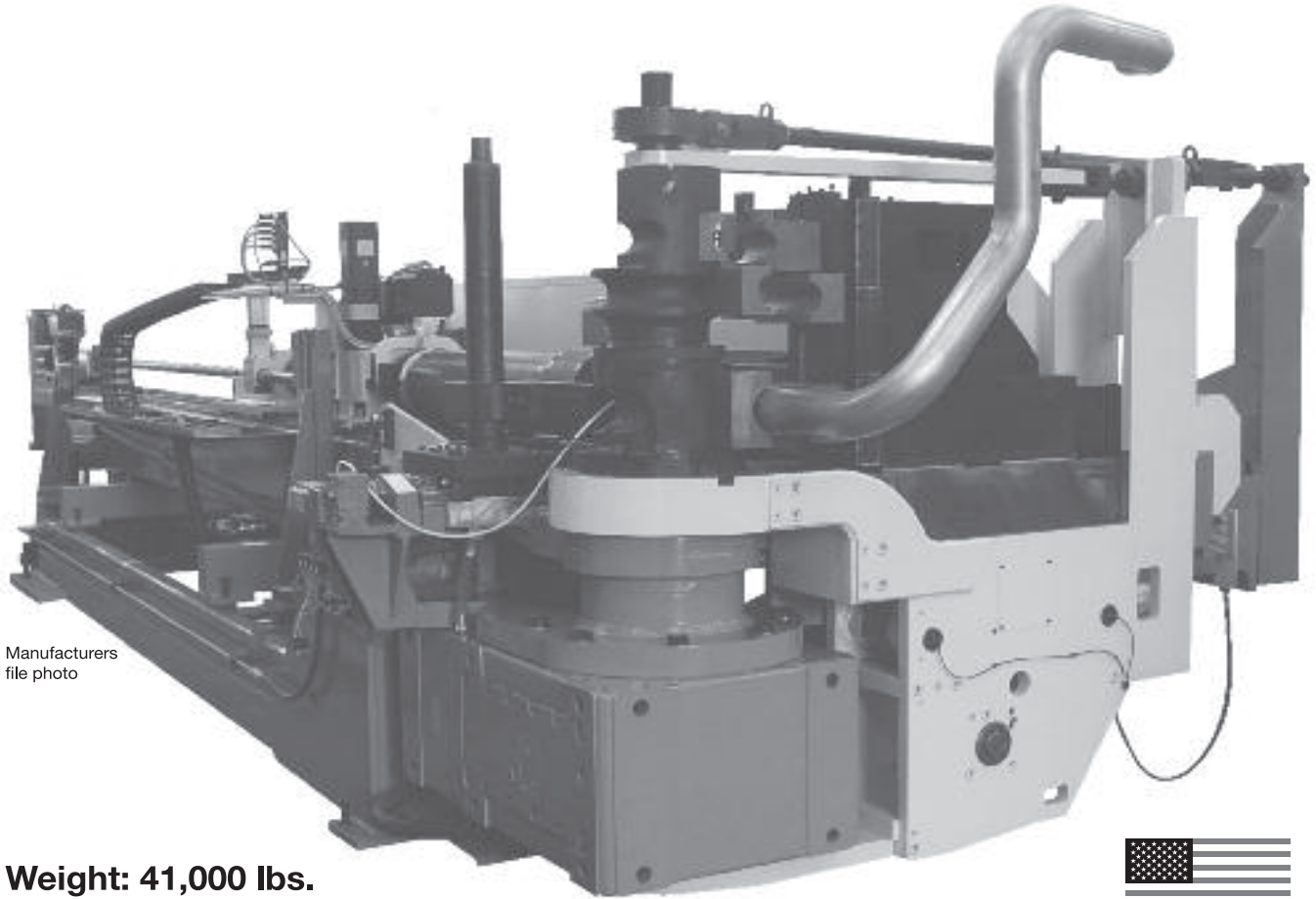
U.S. toll free 1-800-247-5391 • Fax 515-224-0727 • website: [www.auto-jet.com](http://www.auto-jet.com)  
Canada toll free 1-866-229-3402 • Fax 519-455-1103 • website: [www.unitedmuffler.com](http://www.unitedmuffler.com)

**ACC 1**

# ***NEW For Our Customers***

## ***All Electric CNC State-of-the-Art***

### ***UP To 6" Tube Bender***



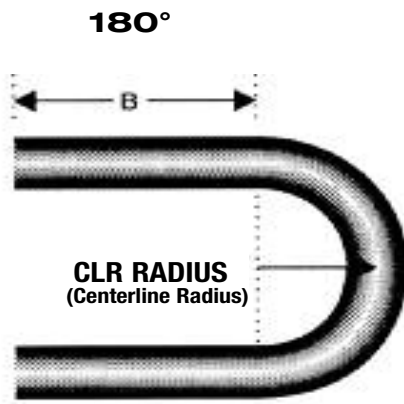
Manufacturers  
file photo

**Weight: 41,000 lbs.**  
**Up to 180° Bends**



**Made in U.S.A.**

## **U-BENDS**



**180° MANDREL BENT  
ALUMINIZED OR 304 STAINLESS  
FOR STAINLESS ADD 304 TO PART #**

**SPECIFY CLR ON 3", 3-1/2" & 4"**

PART NO.	GAUGE	TUBE SIZE	RADIUS	A	B
200180E	16	2"	2-1/2"	12	12
250180E	14	2-1/2"	3"	12	12
275180E	14	2-3/4"	4"	12	12
300180E	16	3"	3-1/2" & 4-1/2"	12	12
350180E	16	3-1/2"	4 & 5"	12	12
400180E	16	4"	5 & 6"	12	12
500180E	16	5"	6"	12	12

## **UNITED MUFFLER CORP.**

**U.S. toll free 1-800-247-5391 • Fax 515-224-0727 • website: [www.auto-jet.com](http://www.auto-jet.com)**  
**Canada toll free 1-866-229-3402 • Fax 519-455-1103 • website: [www.unitedmuffler.com](http://www.unitedmuffler.com)**

**ACC 2**

## TURN DOWNS

### ALUMINIZED & CHROME MANDREL BENT



NOTE: For 304 "Polishable" Stainless Add 304 to part number

SIZE	OVERALL LENGTH	O.D. PART NO.	I.D. PART NO.	CHROME I.D. PART NO.	304 STAINLESS (Polishable) I.D. PART NO.
2-3/4"	14"	TD275OD	TD275ID		
3"	14"	TD300OD	TD300ID	TD300C	TD300304
3-1/2"	14"	TD350OD	TD350ID	TD350C	TD350304
4"	14"	TD400OD	TD400ID	TD400C	TD400304
5"	20"	TD500OD	TD500ID	TD500C	TD500304
6"	20"	TD600OD	TD600ID	TD600C	TD600304

## GOODY BOX

### CRATE OF MANDREL BENDS

- Various degrees and sizes
- 70 bends minimum
- All aluminized or 304 stainless
- Subject to availability
- You can specify sizes, 2" thru 6" (2 minimum)
- These bends are set-ups and errors from our 11 mandrel machines - "We do make mistakes!"



## BULL HORNS - MANDREL BENT

MANUFACTURED OUT OF 5' ALUMINIZED TUBE



304 stainless steel available in 3", 3-1/2", 4", and 5" sizes.

OD	CLR	DEGREE	15°	30°	45°	60°	75°
3"	4-1/2"	PART #	BH30015	BH30030	BH30045	BH30060	BH30075
3-1/2"	4 OR 6"	PART #	BH35015	BH35030	BH35045	BH35060	BH35075
4"	4-1/2 OR 6"	PART #	BH40015	BH40030	BH40045	BH40060	BH40075
5"	6"	PART #	BH50015	BH50030	BH50045	BH50060	BH50075

**UNITED MUFFLER CORP.**

U.S. toll free 1-800-247-5391 • Fax 515-224-0727 • website: [www.auto-jet.com](http://www.auto-jet.com)  
 Canada toll free 1-866-229-3402 • Fax 519-455-1103 • website: [www.unitedmuffler.com](http://www.unitedmuffler.com)

## STACKS



### CURVED

**MANDREL BENT ALUMINIZED**  
**PLEASE SPECIFY I.D. OR O.D. ON BOTTOM**  
**ANGLE CUT ALSO IN STOCK**  
**ALSO AVAILABLE IN 304 POLISHABLE STAINLESS STEEL**

SIZE	CURVED STACKS - LENGTH & PART NUMBER						
	18"	24"	36"	48"	60"	72"	84"
3"	STAK183	STAK243	STAK363	STAK483	—	—	—
3-1/2"	STAK1835	STAK2435	STAK3635	STAK4835	STAK6035	—	—
4"	STAK184	STAK244	STAK364	STAK484	STAK604	STAK724	STAK844
5"	STAK185	STAK245	STAK365	STAK485	STAK605	STAK725	STAK845



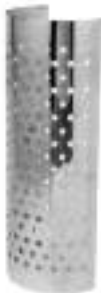
### STRAIGHT

**ALUMINIZED TUBING**  
**PLEASE SPECIFY I.D. OR O.D. ON BOTTOM**  
**ANGLE CUT ALSO IN STOCK**  
**ALSO AVAILABLE IN 304 POLISHABLE STAINLESS STEEL**

SIZE	STRAIGHT STACKS - LENGTH & PART NUMBER							
	18"	24"	36"	48"	60"	72"	84"	96"
3"	STAK183ST	STAK243ST	STAK363ST	STAK483ST	—	—	—	—
3-1/2"	STAK1835ST	STAK2435ST	STAK3635ST	STAK4835ST	STAK6035ST	—	—	—
4"	STAK184ST	STAK244ST	STAK364ST	STAK484ST	STAK604ST	STAK724ST	STAK844ST	STAK964ST
5"	STAK185ST	STAK245ST	STAK365ST	STAK485ST	STAK605ST	STAK725ST	STAK845ST	STAK965ST
6"	STAK186ST	STAK246ST	STAK366ST	STAK486ST	STAK606ST	—	—	—

## GUARDS AND CLAMP KITS

**MUFFLER GUARD**  
8-1/2" TO 10-1/8"



**PIPE GUARD**  
4" & 5" DIAMETER



**MUFFLER CLAMP KITS**



**PIPE GUARD CLAMP KITS**



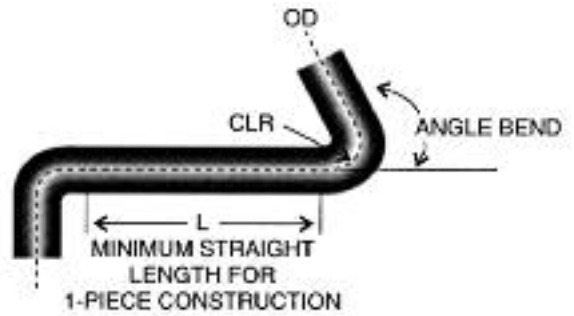
MUFFLER GUARDS A=ROUND HOLES B=SLOTTED HOLES					PIPE GUARD CLAMP KIT		CLAMP KIT		
PART NO.	TYPE	MATERIAL	LENGTH	CIRCLE	PART NO.	PIPE DIA.	PART NO.	MUFFLER DIA.	CIRCLE
89747C	A	STAINLESS	48"	180°	89770K	4	89761K	8-1/2"	180°
89748A	A	ALUMINIZED	48"	180°	89771K	5	89762K	9"	180°
89749C	A	STAINLESS	48"	270°	—	—	89763K	10-1/8"	180°
89995C	B	STAINLESS	48"	270°	<b>PIPE GUARD</b>		89764K	10-1/2"	180°
89996C	B	STAINLESS	48"	180°	89744C(STAINLESS)	4 & 5	89766K	9"	270°
90555C	A	STAINLESS	51"	270°	SP18(ALUMINIZED)	4 & 5	89767K	10-1/8"	270°
90556C	B	STAINLESS	51"	270°	SP18PL(CHROME)	4 & 5	—	—	—

## UNITED MUFFLER CORP.

U.S. toll free 1-800-247-5391 • Fax 515-224-0727 • website: [www.auto-jet.com](http://www.auto-jet.com)  
 Canada toll free 1-866-229-3402 • Fax 519-455-1103 • website: [www.unitedmuffler.com](http://www.unitedmuffler.com)

# CUSTOM DESIGNED TUBE BENDING TOOLING

- Tooling provides smooth bends with a minimum amount of size reduction through the bend.
- All sizes made from aluminized material.  
Polishable 304 stainless available in 2", 2-1/2", 3", 4", and 5" sizes.
- Tube OD at ends can be sized up or down at least twice metal thickness.
- Auto-Jet has six mandrel machines. Production cycles through all sizes and radiuses in approximately 3 weeks.



TUBE OD	2"	2-1/2"	2-3/4"	3"	3"	3"	3-1/2"	3-1/2"	4"	4"	4"	5"
CLR	2-1/2"	3"	4"	3"	3-1/2"	4-1/2"	4"	6"	4-1/2"	6"	8"	6"
L	6"	6"	6"	6"	6"	6"	6"	6"	6"	6"	6"	12"
MAX. BEND	180°	180°	120°	120°	180°	180°	180°	180°	180°	180°	120°	180°

**Auto-jet's** **NEWEST**  
MUFFLER CORP.

**C.N.C.**

**MANDREL BENDER**



Actual photo of Auto-Jet's "Custom Designed" Tube Bending Tool

**BIOGRAPHY: Manufactured in Schmallenberg, Germany**

**SIZE: 8' Wide x 25' Long x 5' High**

**WEIGHT: 16,000 LBS.**

**The computer stores 1 million parts**

**COST \$: "You Don't Even Want to Know"**

**WE'LL BEND FOR YOU!**

**UNITED MUFFLER CORP.**

U.S. toll free 1-800-247-5391 • Fax 515-224-0727 • website: [www.auto-jet.com](http://www.auto-jet.com)  
Canada toll free 1-866-229-3402 • Fax 519-455-1103 • website: [www.unitedmuffler.com](http://www.unitedmuffler.com)

**ACC 5**



## STRAIGHT TUBING

ANY LENGTH AVAILABLE (20' MAXIMUM)

STANDARD IS OD-OD ENDS

EXPANSIONS ARE AVAILABLE



### HEAVY DUTY ALUMINIZED STRAIGHT TUBING STANDARD LENGTH 10'

SIZE	PART NUMBER
2"	200STPA
2-1/4"	225STPA
2-1/2"	250STPA
2-3/4"	275STPA
3"	300STPA
3-1/2"	350STPA
4"	400STPA
4-1/2"	450STPA
5"	500STPA
6"	600STPA
7"	700STPA
8"	800STPA

### HEAVY DUTY COLD ROLLED STRAIGHT TUBING STANDARD LENGTH 10'

SIZE	PART NUMBER
1"	100STP
1-1/4"	125STP
<b>409 STAINLESS "BENDS NICELY"</b>	
2-1/4"	225STP409*
2-1/2"	250STP409*

\* ESPECIALLY FOR MUFFLER SHOPS  
COMPRESSION BENDS

## FLEX TUBING (STAINLESS STEEL)

ANY LENGTH AVAILABLE

### STAINLESS STEEL FLEX TUBING STANDARD LENGTH 10'

SIZE	PART NUMBER
1-1/4"	FLEX125SS
1-1/2"	FLEX150SS
1-3/4"	FLEX175SS
2"	FLEX200SS
2-1/2"	FLEX250SS
3"	FLEX300SS
3-1/2"	FLEX350SS
4"	FLEX400SS
5"	FLEX500SS
6"	FLEX600SS



### STAINLESS STEEL FLEX TUBING CUT LENGTHS

SIZE	12"	18"	24"	36"
2-3/4"	FLEX27512	FLEX27518	FLEX27524	FLEX27536
3"	FLEX30012	FLEX30018	FLEX30024	FLEX30036
3-1/2"	FLEX35012	FLEX35018	FLEX35024	FLEX35036
4"	FLEX40012	FLEX40018	FLEX40024	FLEX40036
5"	FLEX50012	FLEX50018	FLEX50024	FLEX50036
6"	FLEX60012	FLEX60018	FLEX60024	FLEX60036

**UNITED MUFFLER CORP.**

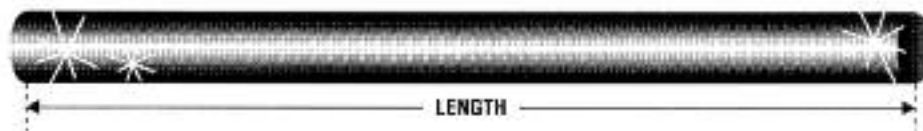
U.S. toll free 1-800-247-5391 • Fax 515-224-0727 • website: [www.auto-jet.com](http://www.auto-jet.com)  
Canada toll free 1-866-229-3402 • Fax 519-455-1103 • website: [www.unitedmuffler.com](http://www.unitedmuffler.com)

**ACC 6**

# 304 STAINLESS STEEL TUBING



## HEAVY DUTY



## FEATURES:

- Bright Finish
- Polishable to Mirror Finish
- Anti-Magnetic
- Expandable Ends
- 16 G.A. Material
- Withstands Heat to 2100°
- Will Not Rust
- No Minimum
- 10' & 20' Lengths Available

## PERFECT FOR:

- Performance Cars
- Show Cars
- Street Rods
- High-temp Applications

**NOTE: 316 STAINLESS ALSO AVAILABLE, 100 FT. MIN. 2" COMPRESSION-BENDS NICELY!**

5' LENGTH		7.5' LENGTH	
SIZE	304 PART NO.	SIZE	304 PART NO.
2"	200STP304	2"	200STP30475
2-1/2"	250STP304	2-1/2"	250STP30475
3"	300STP304	3"	300STP30475
3-1/2"	350STP304	3-1/2"	350STP30475
4"	400STP304	4"	400STP30475
5"	500STP304	5"	500STP30475*
6"	600STP304	6"	600STP30475

\* 5" 304 STAINLESS HAS A DULL FINISH, BUT POLISHABLE TO MIRROR FINISH

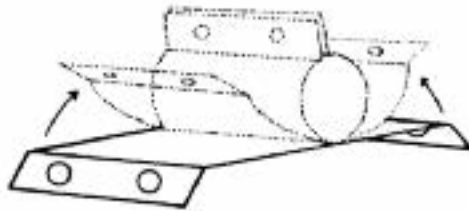
## UNITED MUFFLER CORP.

U.S. toll free 1-800-247-5391 • Fax 515-224-0727 • website: [www.auto-jet.com](http://www.auto-jet.com)  
Canada toll free 1-866-229-3402 • Fax 519-455-1103 • website: [www.unitedmuffler.com](http://www.unitedmuffler.com)

**ACC 7**



## CLAMPS



HEAVY DUTY 3/8" BOLT • 10 GA • SADDLE U-BOLT		U-BOLTS 304 STAINLESS	DONALDSON STAINLESS STEEL SEAL CLAMPS		TORC-TITE PRE-FORMED STAINLESS STEEL BAND CLAMPS	
SIZE	PART NUMBER	PART NUMBER	SIZE	PART NUMBER	SIZE	PART NUMBER
2"	U-200	U-200SS	2"	200SC	2"	200SCPF
2-1/4"	U-225	U-225SS	2-1/4"	225SC	2-1/4"	225SCPF
2-1/2"	U-250	U-250SS	2-1/2"	250SC	2-1/2"	250SCPF
2-3/4"	U-275	—	2-3/4"	275SC	2-3/4"	275SCPF
3"	U-300*	U-300SS	3"	300SC	3"	300SCPF*
3-1/2"	U-350*	U-350SS	3-1/2"	350SC	3-1/2"	350SCPF*
4"	U-400*	U-400SS	4"	400SC	4"	400SCPF*
4-1/2"	U-450	—	5"	500SC	5"	500SCPF*
5"	U-500*	U-500SS	6"	600SC	6"	600SCPF
5-1/5"	U-550	—	—	—	—	—
6"	U-600*	—	—	—	—	—

**NOTE: 3 " THRU 6" ZINC PLATED**

\* Available with Gasket  
ADD WG to Part #

## AccuSEAL™ CLAMPS

### ALUMINIZED

- New clamp technology provides simple, effective way to replace U-bolt and guillotine clamps.
- Creates over a ton of clamping force without crushing pipes, resulting in strong, serviceable joint.
- Pre-assembled hardware.
- Fast, easy and accurate installation – slip clamp over slotted side of joint, insert mating pipe and torque to 40-60 ft-lbs.



SIZE	PART NUMBER
2-1/2"	87190L
2-3/4"	87290L
3"	87390L
3-1/2"	87490L
4"	87590L
5"	87790L
6"	87890L

**UNITED MUFFLER CORP.**

U.S. toll free 1-800-247-5391 • Fax 515-224-0727 • website: [www.auto-jet.com](http://www.auto-jet.com)  
Canada toll free 1-866-229-3402 • Fax 519-455-1103 • website: [www.unitedmuffler.com](http://www.unitedmuffler.com)

# STAINLESS STEEL BELLOWS ASSEMBLY



## FEATURES:

- ONE PIECE LEAK PROOF
- ELIMINATES VIBRATION
- DESIGNED FOR EXTREME HEAT
- ALLOWS EXHAUST SYSTEM FLEXIBILITY
- ID BOTH ENDS
- 304 STAINLESS STEEL
- DOUBLE WALL



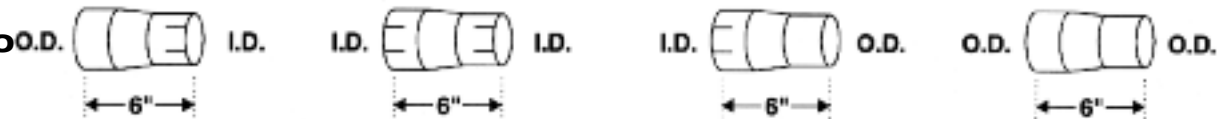
OTHER SIZES & LENGTHS AVAILABLE

DESCRIPTION	LENGTH	PART NUMBER
2"	6"	SSB200
2-1/2"	10"	SSB250
3"	12"	SSB30012
3-1/2"	12"	SSB35012
4"	12"	SSB40012
5"	10"	SSB500

# REDUCERS - 16 GAUGE ALUMINIZED STEEL



**SMALLER SIZES ALSO AVAILABLE**

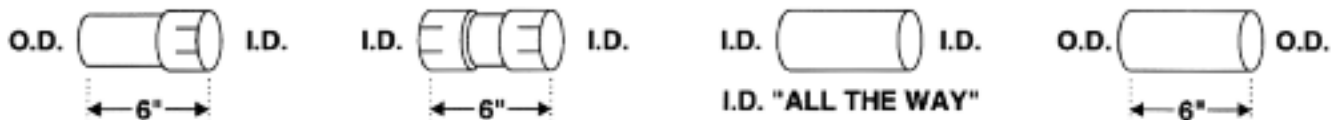


SIZE	OD-ID PART NUMBER	ID-ID PART NUMBER	ID-OD PART NUMBER	OD-OD PART NUMBER
3 X 2-1/2"	3-250 OD-ID	3-250 ID-ID	3-250 ID-OD	3-250 OD-OD
3 X 2-3/4"	3-275 OD-ID	3-275 ID-ID	3-275 ID-OD	3-275 OD-OD
3-1/2 X 3"	350-3 OD-ID	350-3 ID-ID	350-3 ID-OD	350-3 OD-OD
4 X 3"	4-3 OD-ID	4-3 ID-ID	4-3 ID-OD	4-3 OD-OD
4 X 3-1/2"	4-350 OD-ID	4-350 ID-ID	4-350 ID-OD	4-350 OD-OD
4-1/2 X 4"	450-4 OD-ID	450-4 ID-ID	450-4 ID-OD	450-4 OD-OD
5 X 4"	5-4 OD-ID	5-4 ID-ID	5-4 ID-OD	5-4 OD-OD
5 X 4-1/2"	5-450 OD-ID	5-450 ID-ID	5-450 ID-OD	5-450 OD-OD
5-1/2 X 4"			550-4 ID-OD	
6 X 4"			6-4 ID-OD	
6 X 5"	6-5 OD-ID	6-5 ID-ID	6-5 ID-OD	6-5 OD-OD

# STRAIGHT CONNECTORS



## 16 GAUGE ALUMINIZED



SIZE	OD-ID PART NUMBER	ID-ID PART NUMBER	SLEEVE PART NUMBER	OD-OD PART NUMBER
2-3/4"	275 OD-ID	275 ID-ID	275S	275 OD-OD
3"	300 OD-ID	300 ID-ID	300S	300 OD-OD
3-1/2"	350 OD-ID	350 ID-ID	350S	350 OD-OD
4"	400 OD-ID	400 ID-ID	400S	400 OD-OD
5"	500 OD-ID	500 ID-ID	500S	500 OD-OD
6"	600 OD-ID	600 ID-ID		600 OD-OD

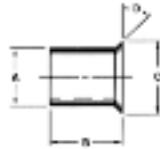
# UNITED MUFFLER CORP.

U.S. toll free 1-800-247-5391 • Fax 515-224-0727 • website: [www.auto-jet.com](http://www.auto-jet.com)  
 Canada toll free 1-866-229-3402 • Fax 519-455-1103 • website: [www.unitedmuffler.com](http://www.unitedmuffler.com)

## V-CLAMPS AND LIP FLARES



V-CLAMP



LipFLARE



CUMBNF



3208BEAD



DD6V8VMF

APPLICATION	V-CLAMP	FLARE	LIP FLARE DIMENSIONS			
			A	B	C	D
FORD 370-429 C.I.	370VCL	370FLARE	2-1/2"	4"	3-11/16"	45°
FORD 477-534 C.I.	534VCL	534FLARE	3" I.D.	3"	3-7/8"	20°
FORD 8.2L 501 C.I. NAT ASP. DETROIT	82VFCLNA	82FLARE	3" O.D.	3"	3-7/8"	20°
FORD 8.2L DETROIT TURBO	82FVCLT	82FLARET	4"	3-1/2"	4-5/8"	20°
FORD 6.6 & 7.8L TURBO	66FVCL	66FLARET	3-1/2"	3-1/2"	4-1/16"	20°
FORD 3208 TURBO	3208VCLT	3208FLARE	3-1/2"	3-1/2"	4"	20°
INT. DT-466	DT466VCL	DT466FLARE	3-1/2"	3-1/2"	4-1/16"	20°
INT. DT-360	DT360VCL	DT360FLARE	3-1/2"	3-1/2"	4-1/16"	20°
CUMMINS 8.3 TURBO C-SERIES	83VCLT	8.3CUMFL (MACHINED FLARE)	3-7/8"	2-1/8"	4"	20°
CUMMINS V-555	555VCL	555FLARE	3" I.D.	3"	3-3/4"	20°
CUMMINS 4BT-6BT-5.9L B-SERIES	TCVCL	CUMBMF (MACHINED FLARE)	3"	3"	—	—
CAT 3208 NAT. ASP.	3208FL (FLANGE)	3208BEAD (BEADED ADAPTER)	2-3/4"	3"	BEAD	—
CAT 3208 TURBO	3208VCLT	3208FLARET	3-1/2"	3-1/2"	4"	20°
DETROIT DIESEL TURBO	DD6V8VCL	DD6V8VMF (MACHINED FLARE)	FITS:	8V71T 8V92T	16V71T 6V92T	16V92T
CAT 3126 TURBO	3116VCL	3126FLARE	4"	2"	4-9/16"	22°
CAT 3116 TURBO	3116VCL	3116FLARE	4"	2"	4-9/16"	22°
NAVISTAR T444 - 3"	T444VCL	T444FLARE	3"	2-1/2"	3-11/16"	20°
NAVISTAR T444 - 3-1/2"	-	T444FLARE35	3-1/2"	2"	4-1/2"	22°
250 CUMMINS	51389K	96589K	4"	5"	4-1/2"	45°
CUMMINS	51489K	96689K	5"	5"	5-1/2"	45°
T-50 TURBO CHARGER	50389K	96789K	5"	3"	5-3/4"	18°
-	-	56990A	5"	3"	5-1/2"	22°
JOHN DEERE TURBO	JDVCL	JDFLARE	3-1/2"	2"	4.315"	20°



**UNITED MUFFLER CORP.**

U.S. toll free 1-800-247-5391 • Fax 515-224-0727 • website: [www.auto-jet.com](http://www.auto-jet.com)  
 Canada toll free 1-866-229-3402 • Fax 519-455-1103 • website: [www.unitedmuffler.com](http://www.unitedmuffler.com)

**ACC 10**

## MUFFLER HANGERS

**ROUND**

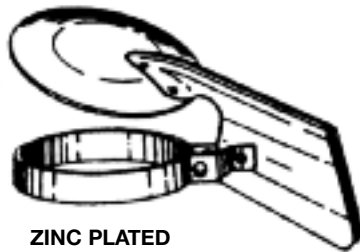


**OVAL**



<b>SIZE</b>	6"	7"	8"	8-1/2"	10"	11"	<b>SIZE</b>	8-1/4" X 11-1/2"	10' X 15"
<b>PART #</b>	600MH	700MH	800MH	850MH	1000MH	1100MH	<b>PART #</b>	OVALMH1	OVALMH2

## RAIN CAPS

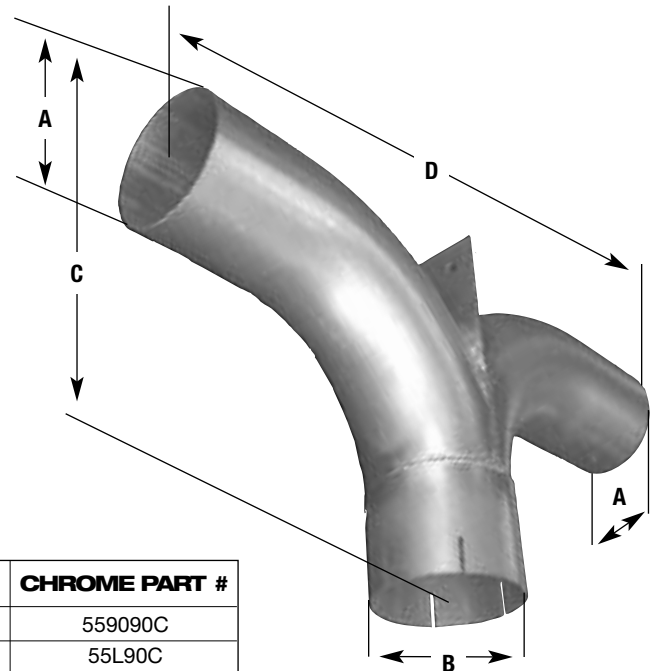


ZINC PLATED

SIZE	PART NUMBER
2-1/2"	RC250
3"	RC300
3-1/2"	RC350
4"	RC400
5"	RC500
6"	RC600
8"	RC800
10"	RC1000

## SPLITTER TEE ADAPTER

CONVERTS A SINGLE SYSTEM EXHAUST PIPE INTO A DUAL SYSTEM



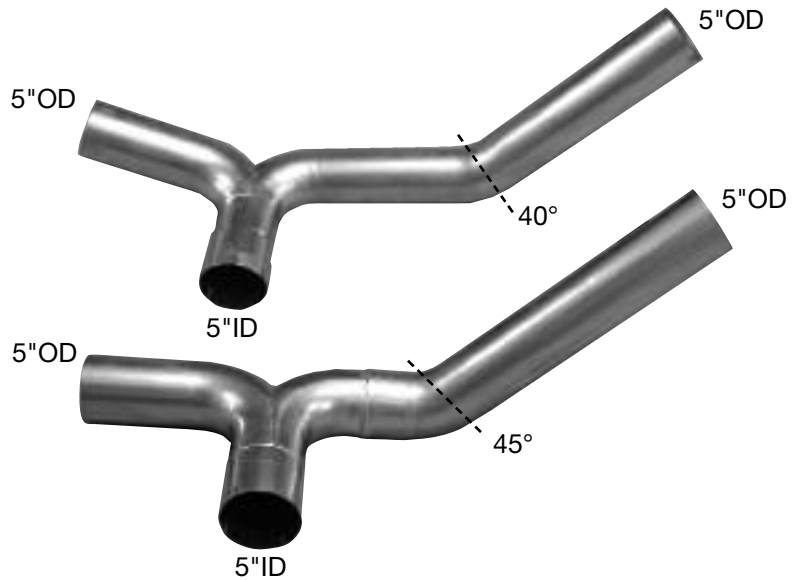
A(O.D.)	B (I.D.)	C	D	ALUMINOZED PART #	CHROME PART #
4"	4"	11-1/4"	16"	559090A	559090C
5"	5"	14"	25"	55L90A	55L90C

**UNITED MUFFLER CORP.**

U.S. toll free 1-800-247-5391 • Fax 515-224-0727 • website: [www.auto-jet.com](http://www.auto-jet.com)  
 Canada toll free 1-866-229-3402 • Fax 519-455-1103 • website: [www.unitedmuffler.com](http://www.unitedmuffler.com)

## PETERBILT

**PART #:** PB-13055Y  
**OE #:** 14-13055

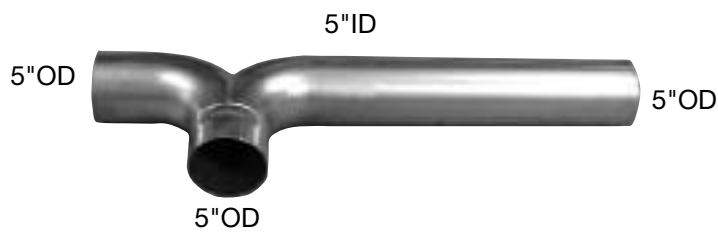


**PART #:** PB-04055Y  
**OE #:** 14-04055

## FREIGHTLINER



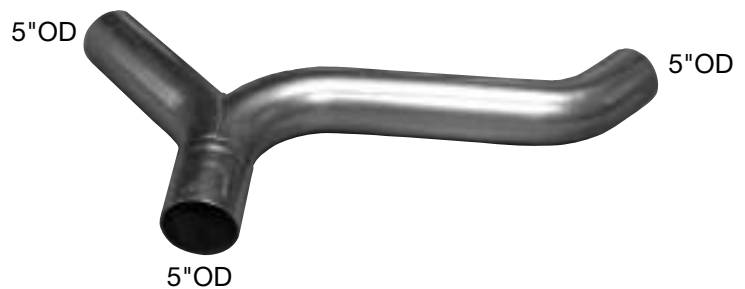
**PART #:** FL-12104  
**OE #:** A04-12104-000



**PART #:** FL-13974  
**OE #:** A04-13974-000

## KENWORTH

**PART #:** YKW4766  
**OE #:** K180-14766



## UNITED MUFFLER CORP.

U.S. toll free 1-800-247-5391 • Fax 515-224-0727 • website: [www.auto-jet.com](http://www.auto-jet.com)  
 Canada toll free 1-866-229-3402 • Fax 519-455-1103 • website: [www.unitedmuffler.com](http://www.unitedmuffler.com)

## CHROME STACK PIPES

### FEATURES

- Original equipment quality.  
No wavy reflections, grinding lines or pits.
- Double nickel plating before chrome finish prevents corrosion.
- Multiple polishing of base tube before plating assures a high lustre mirror finish.
- No clamp die-marks, saw cut offs or burrs.  
All end forming is finished before plating.
- Special packaging prior to shipment with non-marring materials.
- Also available in 304 polishable stainless steel. **STRAIGHT CURVED MITERED 6" X 5"**



SIZE	LENGTH	STRAIGHT O.D.	STRAIGHT I.D. SLOTTED	CURVED O.D.	CURVED I.D. SLOTTED	MITERED WEST COAST
4"	18"	418OSTC	418ISTC	418CCO	418CCI	M418WCC
	24"	424OSTC	424ISTC	424CCO	424CCI	M424WCC
	36"	436OSTC	436ISTC	436CCO	436CCI	M436WCC
	48"	448OSTC	448ISTC	448CCO	448CCI	M448WCC
	60"	460OSTC	460ISTC	460CCO	460CCI	M460WCC
	72"	472OSTC	472STC	472CCO	472CCI	M472WCC
	84"	484OSTC	484STC	484CCO	484CCI	M484WCC
5"	96"	496OSTC	496ISTC	496CCO	496CCI	M496WCC
	18"	518OSTC	518STC	518CCO	518CCI	M518WCC
	24"	524OSTC	524ISTC	524CCO	524CCI	M524WCC
	36"	536OSTC	536ISTC	536CCO	536CCI	M536WCC
	48"	548OSTC	548ISTC	548CCO	548CCI	M548WCC
	60"	560OSTC	560ISTC	560CCO	560CCI	M560WCC
	72"	572OSTC	572ISTC	572CCO	572CCI	M572WCC
	84"	584OSTC	584ISTC	584CCO	584CCI	M584WCC
	96"	596OSTC	596ISTC	596CCO	596CCI	M596WCC
	108"	5108OSTC	5108ISTC	5108CCO	5108CCI	M5108WCC

**6"  
CHROME  
AVAILABLE  
ON REQUEST**

**UNITED MUFFLER CORP.**

U.S. toll free 1-800-247-5391 • Fax 515-224-0727 • website: [www.auto-jet.com](http://www.auto-jet.com)  
 Canada toll free 1-866-229-3402 • Fax 519-455-1103 • website: [www.unitedmuffler.com](http://www.unitedmuffler.com)

**ACC 13**

# CHEVROLET - GMC ACCESSORIES

## SOLID STAINLESS EXHAUST RINGS 454 C.I. & 366 C.I.



1998 & UP 454 C.I.  
SOLID 304 STAINLESS STEEL  
PART # 454ER304



ELIMINATES LEAKS  
WILL NOT BLOW OUT  
WILL NOT CRUSH

1985-UP 366 C.I., 427 C.I. ENGINES  
SOLID 304 STAINLESS  
PART #366ER304



ELIMINATES LEAKS  
WILL NOT BLOW OUT  
WILL NOT CRUSH

**UNITED MUFFLER CORP.**

U.S. toll free 1-800-247-5391 • Fax 515-224-0727 • website: [www.auto-jet.com](http://www.auto-jet.com)  
Canada toll free 1-866-229-3402 • Fax 519-455-1103 • website: [www.unitedmuffler.com](http://www.unitedmuffler.com)

**ACC 14**



# TOOLS OF THE TRADE

## AUTO-JET LARGE PIPE SHAPER



PART NO.: 400SHAPER

- Designed especially for late model gas or diesel trucks and buses.
- For use on all 2-3/4" thru 4" pipe.
- An essential tool for all garages.
- Heavy duty construction with removable handle.

## AUTO-JET TUBING EXPANDER



3-1/2" PART NO.: EXPANDER350  
4" PART NO.: EXPANDER4  
5" PART NO.: EXPANDER5

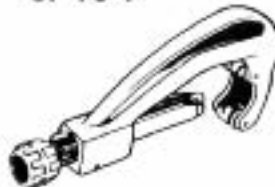
- Designed especially for buses and trucks with 4" & 5" exhaust systems.
- Rounds muffler and tubing ends to original size and shape with ease.
- Removes U-bolt crimps.
- Not designed to swage tubing.
- Saves exhaust installation time.
- Operates with impact wrench.
- Replacement parts in stock.

## PIPE CUTTERS

PART NO.: PIPECUT1  
UP TO 3"



PART NO.: PIPECUT2  
UP TO 4"



PART NO.: PIPECUT3  
4" TO 6-1/2"



PIPE CUTTER  
PINS & WHEELS

- # PIN1
- # PIN2
- # WHEEL



SHAPER  
2" TO 3" SHAPER

- # SHAPER



MUFFLER  
CEMENT

- # CEMENT



EXPANDER FOR  
2-1/2" TO 3" PIPE

- # EXPANDER

## UNITED MUFFLER CORP.

U.S. toll free 1-800-247-5391 • Fax 515-224-0727 • website: [www.auto-jet.com](http://www.auto-jet.com)  
Canada toll free 1-866-229-3402 • Fax 519-455-1103 • website: [www.unitedmuffler.com](http://www.unitedmuffler.com)

**GARAGE EXHAUST HOSE**

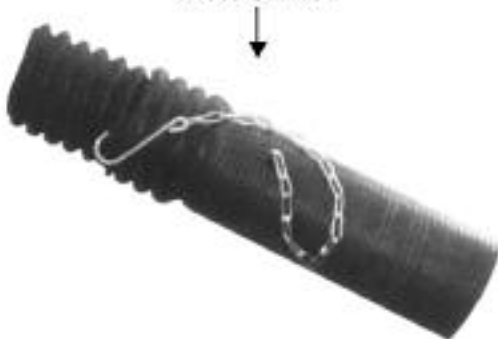
CRUSH PROOF RUBBER  
CAN BE JOINED  
AVAILABLE IN 11' LENGTHS



SIZE	PART NUMBER
3'	RH300
4'	RH400
5'	RH500
6'	RH600

**RUBBER TAIL PIPE ADAPTER**

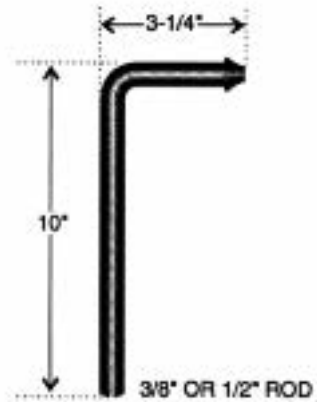
WITH CHAIN



SIZE	PART NUMBER
3'	RAD300
4'	RAD400
5'	RAD500
6'	RAD600

**O.E. STYLE TAIL PIPE HANGERS**

WITH ARROWHEAD



PART #: BRACK38 (3/8")  
BRACK12 (1/2")