



Auto-jet⁺

MUFFLER CORP.

Manufacturing Heavy Duty Mufflers - Exhaust and Intake Systems Since 1959

EMMISSION CONTROL

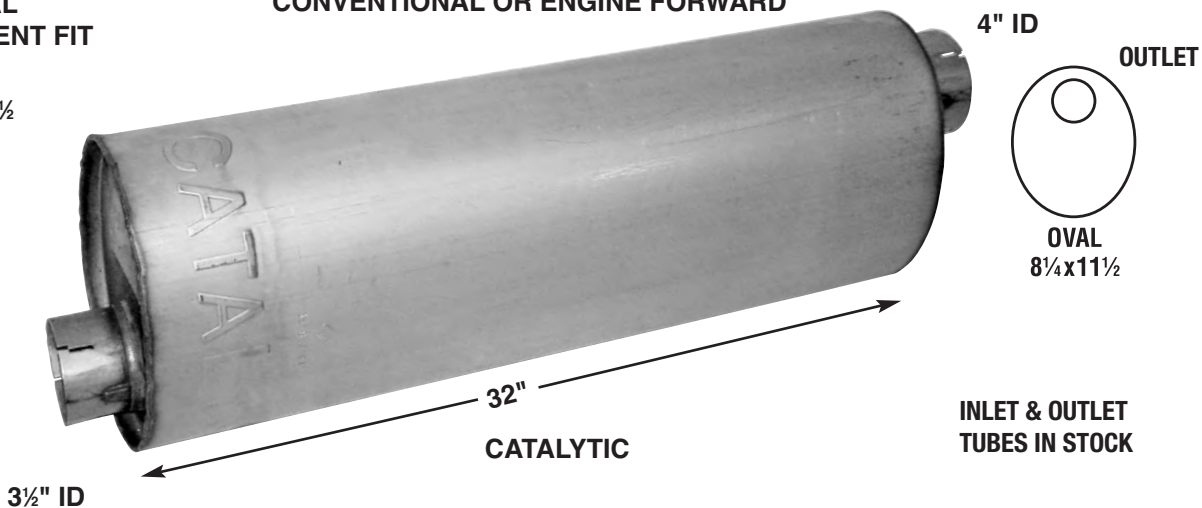
CATALYTIC CONVERTERS

2005 & UP CE INTERNATIONAL TRUCKS MUFFLER

ORIGINAL
EQUIPMENT FIT

8¼x11½
Oval

CONVENTIONAL OR ENGINE FORWARD

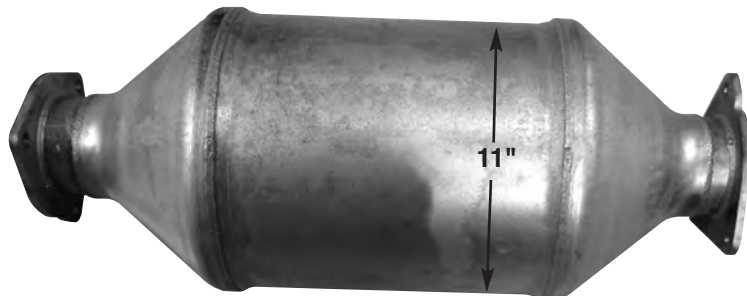


AUTO-JET PART # 350400CAT

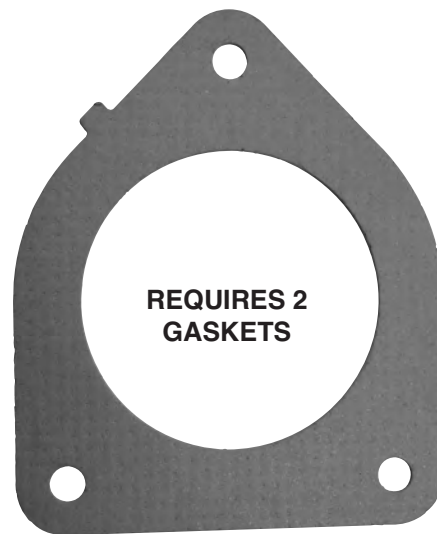
INTERNATIONAL TRUCKS CONVERTER - DPF



AUTO-JET PART # NAV714
O.E. # 2595714C91



AUTO-JET PART # NAV981R
O.E. # 2593981R91



REQUIRES 2
GASKETS

3-HOLE GASKET
AUTO-JET PART # NAVGS91
O.E. PART # 2593986G1

AUTO-JET PART # NAVGS586
O.E. PART # 2593986C1

NOTE: DUE TO LIMITED SUPPLY OF CATALYSTS, CATALYTIC MUFFLERS MAY BE SUBJECT TO LEAD TIME.

MATERIAL 409 STAINLESS STEEL

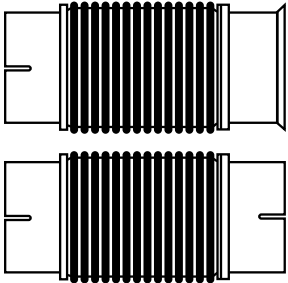
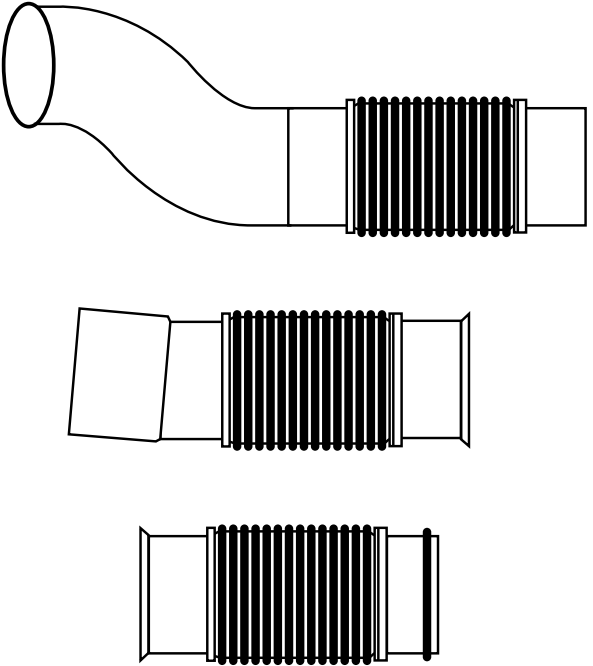

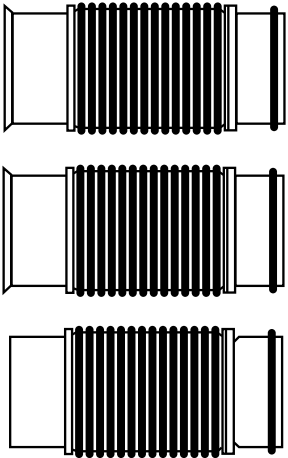
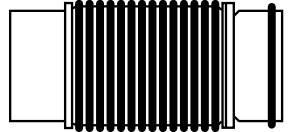
AUTO-JET MUFFLER CORP.

TOLL FREE 1-800-247-5391 • FAX 515-224-0727 • WWW.AUTO-JET.COM

DPF 1

CATALYTIC CONVERTERS

FLEX TUBES

PART NUMBER	O.E. NUMBER FREIGHTLINER/WESTERN STAR	DIAMETER	
DPF27334-18	A04-27334-18 OR A04-26200-018	5"	
DPF28522-000	A0-4-28522-000 OR A04-25022-18	5"	
DPF28578-000	04-28578-000 OR A04-25922-018 OR A04-26193-018	4"	
PART NUMBER	O.E. NUMBER INTERNATIONAL/NAVISTAR	DIAMETER	
NAV775C4	3811775C4	4" & 5"	
NAV113C5	3628113C5	4" & 5"	
NAV294C2	3826294C2	4" & 5"	
NAV024C3	3820024C3	4" & 5"	
NAV775C4	3811775C4	4" & 5"	
NAV113C5	3628113C5	4" & 5"	
NAV294C2	3826294C2	4" & 5"	
NAV024C3	3820024C3	4" & 5"	
			
PART NUMBER	O.E. NUMBER PACAR/KENWORTH/PETERBILT	DIAMETER	
PAC6559	M66-6559	2.5"	
PAC0320	M66-6541-0320	4"	
PAC0335	M66-6541-0335	4"	
PAC0405	M66-6541-0405	4"	
PAC65420320	M66-6542-0320	5"	
PAC65420335	M66-6542-0335	5"	
PART NUMBER	O.E. NUMBER VOLVO/MACK	DIAMETER	
VM666559	M66-6559	5"	
VM65410320	M66-6541-0320	5"	
VM65410335	M66-6541-0335	4"	

AUTO-JET MUFFLER CORP.

TOLL FREE 1-800-247-5391 • FAX 515-224-0727 • WWW.AUTO-JET.COM

DPF 2

CATALYTIC CONVERTERS

2007 & UP INTERNATIONAL DIFFUSERS

DIFFUSER STRAIGHT ON REAR



PART# NAVDIFF1 EXCHANGE
OE# 3817878C1

DIFFUSER WITH TURN DOWN FOR SIDE DISCHARGE TAILPIPES



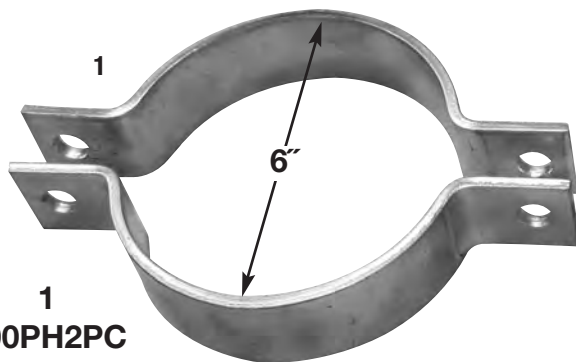
PART# NAVDIFF2 EXCHANGE

2007 & UP INTERNATIONAL CONVERTER OUTLET PIPE AND HANGER



PART# ICFP
OE# 2596409C92

2007 & UP 6" TAILPIPE HANGER



1
PART# 600PH2PC
OE# 3814849C1



2
RUBHGRCE
3533072C1

AUTO-JET MUFFLER CORP.

TOLL FREE 1-800-247-5391 • FAX 515-224-0727 • WWW.AUTO-JET.COM

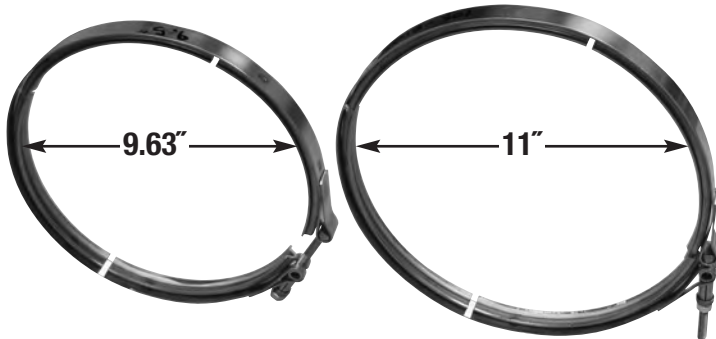
DPF 3

CATALYTIC CONVERTERS

CUMMINS DIESEL PARTICULATE FILTER V-CLAMPS

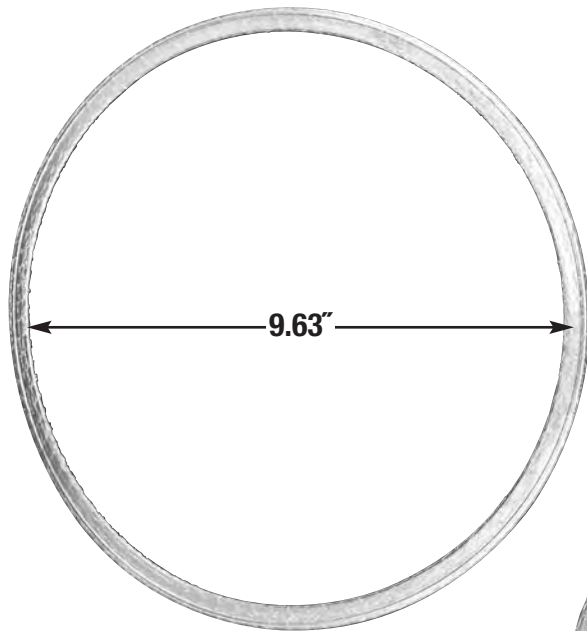
I.S.B. ENGINES

I.S.C. ENGINES

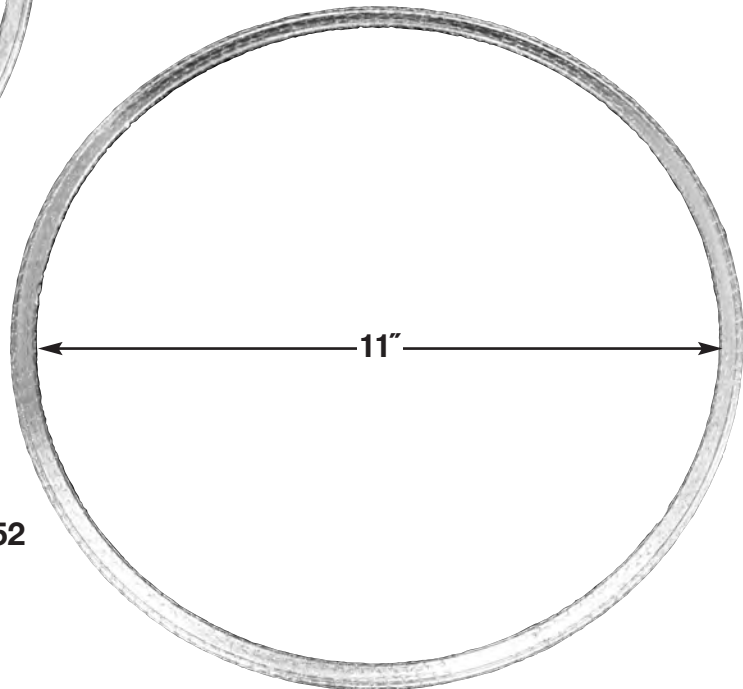


PART#	DPFVCL95	DPFVCL11
SIZE	9 1/2"	11"
CUMMINS O.E.#	2871861	2871862
SUPERSEDED#	4965096	4965097

DPF GASKETS



PART# BDPFGS451



PART# BDPFGS452

AUTO-JET MUFFLER CORP.

TOLL FREE 1-800-247-5391 • FAX 515-224-0727 • WWW.AUTO-JET.COM

DPF 4

ACCESSORIES

HEAT SLEEVES

SLIPS ONTO 3" TO 5" DIA. PIPE



HEAT WRAP

2" WIDE ROLL, EASY TO INSTALL ON ANY PIPE



SLEEVE & WRAP CLAMPS

WRAP CLAMPS MAKE INSTALLATION EASY!
NO TOOLS NEEDED

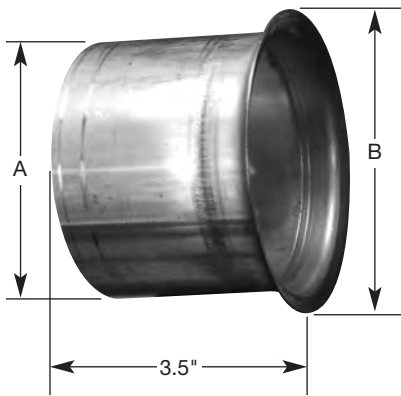


LENGTH	PART NUMBER	LENGTH	PART NUMBER	LENGTH	PART NUMBER
12"	HS12	2"X50' (600") ROLL	TCWRAP	2 PC of 18" LONG CLAMP	HSCLAMP
18"	HS18				
24"	HS24				

HEAT SLEEVES OR HEAT WRAP COULD REDUCE THE OUTSIDE TEMPERATURE OF A BARE PIPE BY UP TO 300°F TO 400°F.

MARMON FLANGE & FLARE CONNECTORS

JOIN PARTS TOGETHER FOR LEAKPROOF AND SERVICEABLE CONNECTIONS WITH A V-BAND CLAMP.
ALL COMPONENTS MADE FROM 304 STAINLESS STEEL.



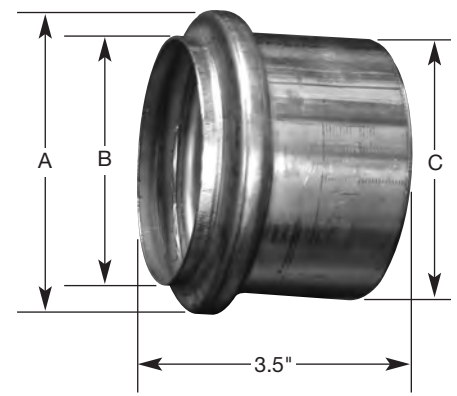
MARMON FLARE



V-BAND CLAMP



GASKET



MARMON FLANGE

SIZE in (mm)	A	B	PART NO.	PART NO.	PART NO.	A	B	C	PART NO.
3.5" (88.90)	3.5 (89)	4.13 (105)	MAR35FL	MAR35VCL	MAR35GS	4.13	3.30 (84)	3.50	MARBEAD35
4.0" (101.60)	4.0 (102)	4.63 (118)	MAR4FL	MAR4VCL	MAR4GS	4.72 (120)	3.80 (97)	4.00 (102)	MARBEAD4
5.0" (127.00)	5.0 (127)	5.63 (143)	MAR5FL	MAR5VCL	MAR5GS	5.72 (145)	4.80 (122)	5.00 (127)	MARBEAD5

AUTO-JET MUFFLER CORP.

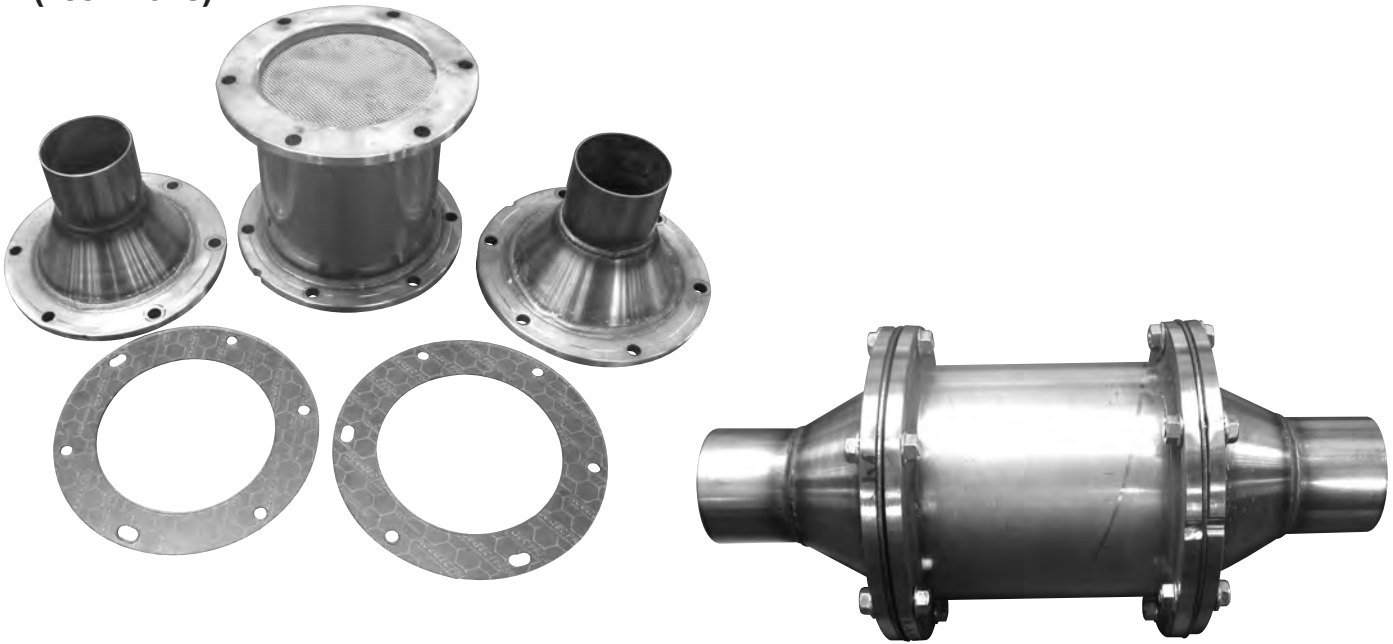
TOLL FREE 1-800-247-5391 • FAX 515-224-0727 • WWW.AUTO-JET.COM

DPF 5

OFF-ROAD CATALYZED DIESEL PARTICULATE FILTER (DPF)

GLOBAL EMISSIONS SYSTEMS INC. GESI® 6000DPF

- CARB LEVE 3+ VERIFICATION
- MINIMUM 85% REDUCTION IN PARTICULATE MATTER
- 9 SIZES 5.66" TO 15" DIAMETER
- APPROVED BY MSHA MINE SAFETY AND HEALTH ADMINISTRATION
- WITHSTAND TEMPERATURES ABOVE 1800 DEG. FAHRENHEIT (1000 DEG. CELSIUS)
- APPLICATIONS DIESEL ENGINES POWERING CONSTRUCTION EQUIPMENT MAINTENANCE EQUIPMENT, ARI-COMPRESSORS ETC. WITH EXHAUST TEMPERATURES REACHING 752 DEG. F (400 DEG. C)



PLEASE GIVE US A CALL OR E-MAIL, TELL US YOUR:

- APPLICATION
- DIESEL ENGINE YEAR AND MODEL
- HORSEPOWER
- CUBIC INCH
- MAXIMUM R.P.M.

AUTO-JET MUFFLER CORP.

TOLL FREE 1-800-247-5391 • FAX 515-224-0727 • WWW.AUTO-JET.COM

DPF 6