

STERLING/ FORD EXHAUST SYSTEMS



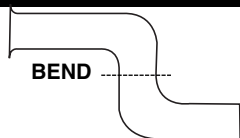
Nationwide toll free 1-866-229-3402

Fax 519-455-1103 • website: www.unitedmuffler.com

STERLING 1998-UP EXHAUST PARTS

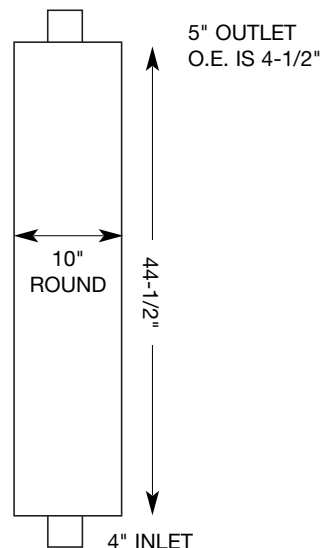
300 CUMMINS TURBO PIPE

PART NO.: STER300T
O.E. # F8HT5246NA



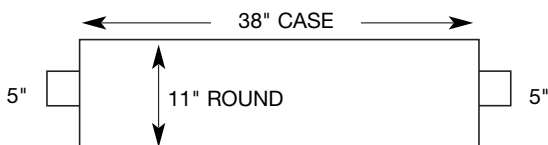
VERTICAL MUFFLER

PART NO.: V10-0010



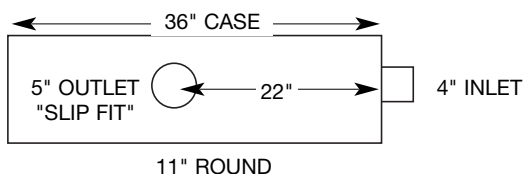
HORIZONTAL MUFFLERS

PART NO.: 11-0045

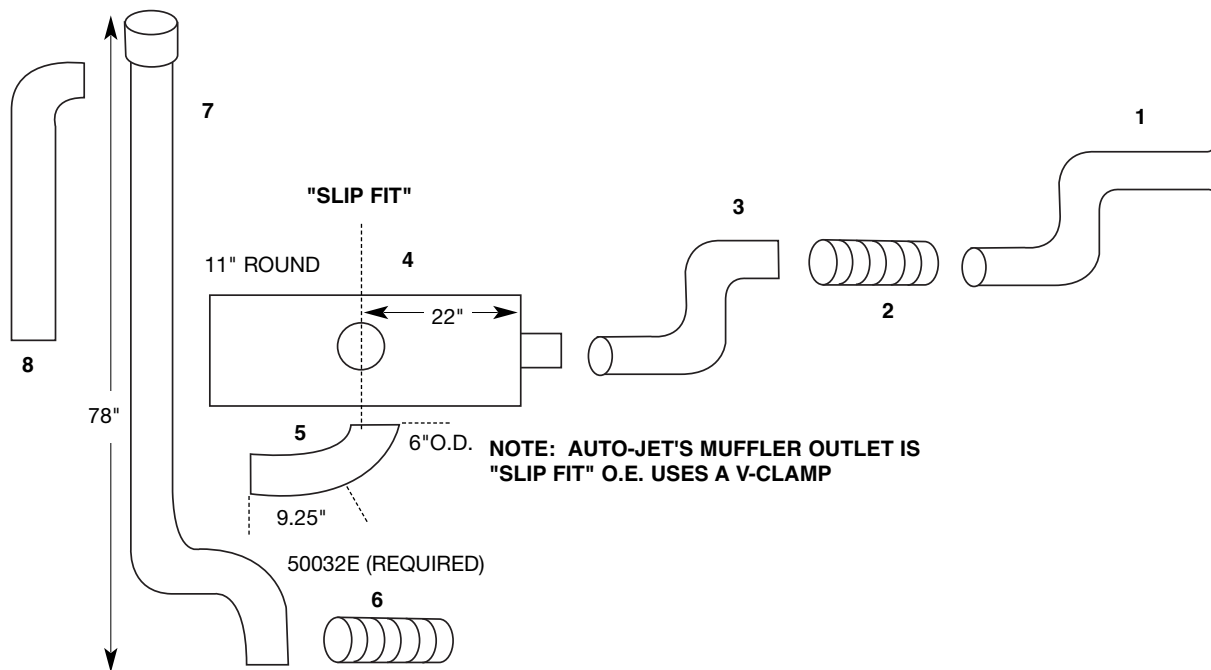


PART NO.: 11-0050
O.E. # 04-20629-001

NOTE: OUTLET REQUIRES 5" 32° ELBOW PART#50032E REPLACES O.E.#F6HZ5255AAA



STERLING 1998-UP 3126 CATERPILLAR



1 - TURBO PIPE	2 - FLEX	3 - FLEX TO MUFFLER PIPE	4 - MUFFLER	5 - MUFFLER OUTLET PIPE	6 - FLEX	7 - STACK	8 - STACK EXTENSION
STER3126T	FLEX40012	STERFMMD	11-0050	FORD50032E	FLEX50024	FDSTAK510	STAK485
O.E.# XC455246BA	--	F6HZ5A212FA	04-20629-001	F6HZ5255AAA	--	F7HZ5255AAA	5" O.D. 48" LONG W/ TURNOUT

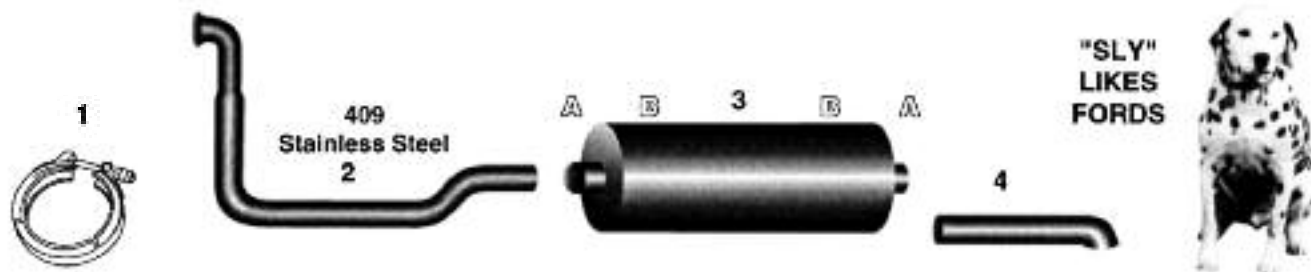
UNITED MUFFLER CORP.

U.S. toll free 1-800-247-5391 • Fax 515-224-0727 • website: www.auto-jet.com
Canada toll free 1-866-229-3402 • Fax 519-455-1103 • website: www.unitedmuffler.com

FORD 1

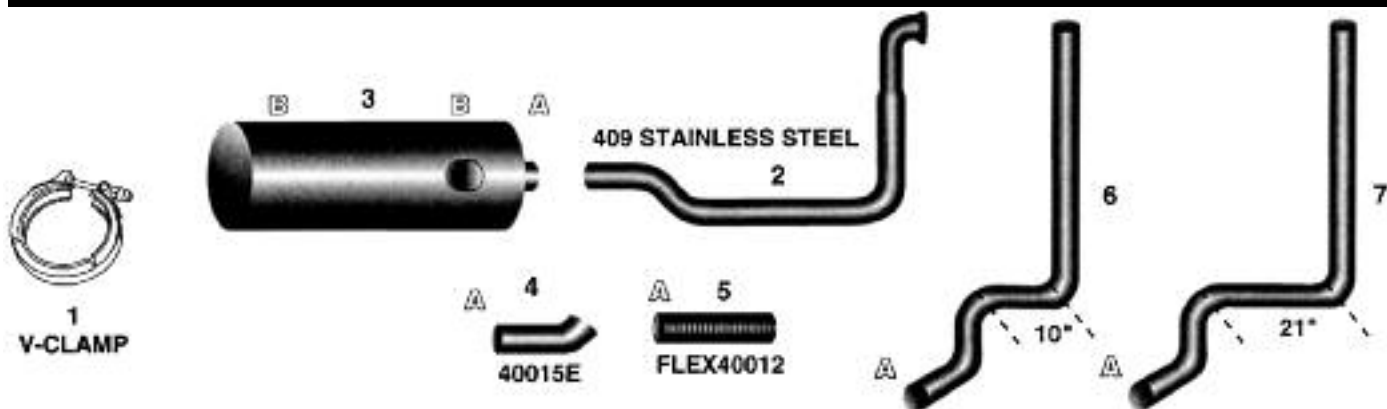
FORD 1996-UP EXHAUST PARTS

1996-UP FORD FD-1060 CUMMINS B-SERIES DIESEL



DESCRIPTION	1 V-CLAMP	2 TURBO PIPE	3-MUFFLER		4
			CATALYTIC	NON-CATALYTIC	TURN DOWN
PART #	FDVCL96	FDI060T96S (STAINLESS) FD1060T96A(ALUMINIZED)	400FDCAT	11-0025	TD400

1996-UP FORD FD-1060 CUMMINS B-SERIES DIESEL WITH STACK



DESCRIPTION	1 V-CLAMP	2 TURBO PIPE	3-MUFFLER NON-CATALYTIC	4-FLEX MUFFLER OUTLET	5 FLEX	STACK PIPE	
						6	OR 7
PART #	FDVCL96	FDI060T96S (STAINLESS) FD1060T96A(ALUMINIZED)	11-0035	40015E	FLEX40012	FDSTAK410	FDSTACK421

ACCESSORIES



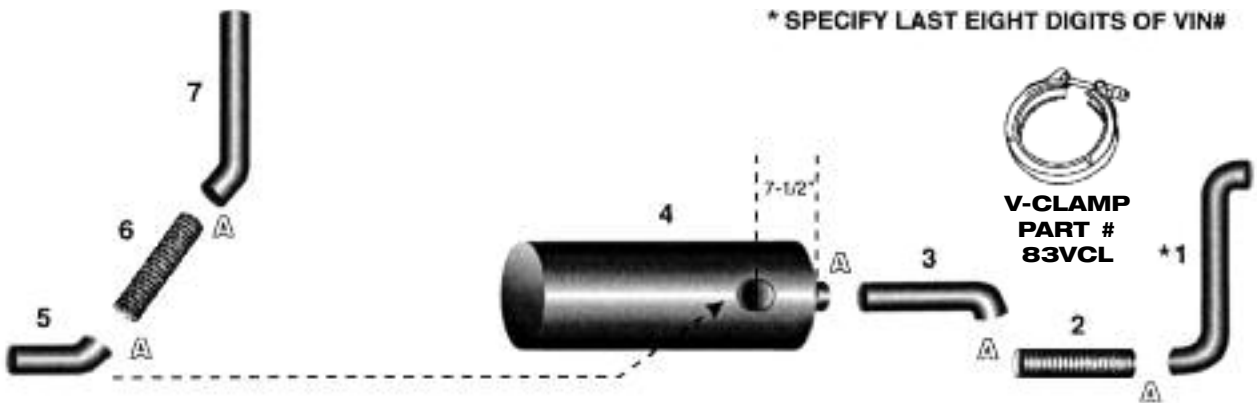
DESCRIPTION	CLAMPS		MUFFLER HANGERS
	A	B	
PART #	400SCPF	U-400	1100MH

UNITED MUFFLER CORP.

U.S. toll free 1-800-247-5391 • Fax 515-224-0727 • website: www.auto-jet.com
 Canada toll free 1-866-229-3402 • Fax 519-455-1103 • website: www.unitedmuffler.com

FORD EXHAUST SYSTEMS

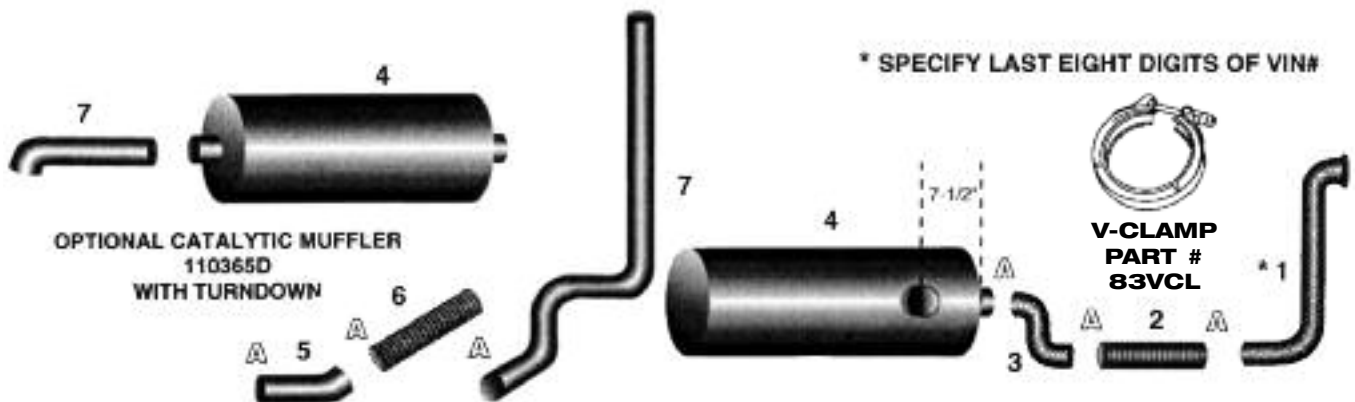
1993-UP C-F-L-SERIES FD-1460 CUMMINS DIESEL



DESCRIPTION	1 TURBO-PIPE	2 FLEX	3 ELBOW	4-MUFFLER NON-CATALYTIC	5 ELBOW	6 FLEX	7 STACK
PART #	FD1460TA*	FLEX40012	4003OE	11-0035	40045E	FLEX40024	STAK48445

See accessories on top of page FORD 3.

1993-UP FORD FD-1460 CUMMINS C-F-L-SERIES DIESEL WITH CATALYTIC MUFFLER



DESCRIPTION	1 TURBO PIPE	2 FLEX	3 - OFFSET PIPE	4 - MUFFLER		5 ELBOW	6 FLEX	7 - STACK/ TURNDOWN
				CATALYTIC	NON-CATALYTIC			
SYSTEMS WITH PASS. SIDE STACK	FD1460TSS	FLEX40012	FORDEXT964	N/A	11-0035	40015E	FLEX40018	FDSTAK410
NO STACK - USES TURNDOWN	FD1460TSS	FLEX40012	FORDEXT964	400FDCATC	11-0025	—	—	TD400

See accessories on top of page FORD 3.

UNITED MUFFLER CORP.

U.S. toll free 1-800-247-5391 • Fax 515-224-0727 • website: www.auto-jet.com
 Canada toll free 1-866-229-3402 • Fax 519-455-1103 • website: www.unitedmuffler.com

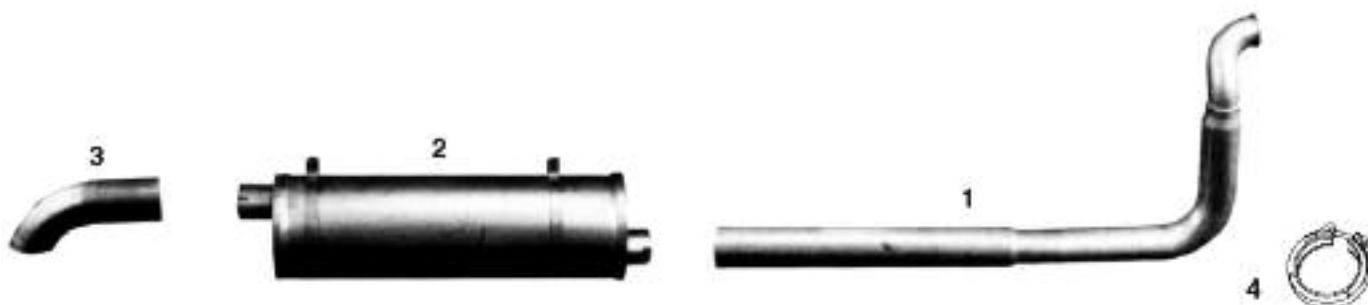
FORD EXHAUST SYSTEMS

ACCESSORIES



DESCRIPTION	CLAMPS A		MUFFLER HANGERS B
	PART #	400SCPF	U-400

1992-1995 FD-1060 CUMMINS DIESEL 6 BT 5.9 LITRE



1 - TURBO PIPE	2 - MUFFLER	3 - TURN DOWN	4 - V-CLAMP
FD1060T	400FDA	TD400	TCVCL

Auto-Jet continuously updates its pattern inventory.

If you need exhaust parts not shown here, give us the O.E. # or send us the old part.

UNITED MUFFLER CORP.

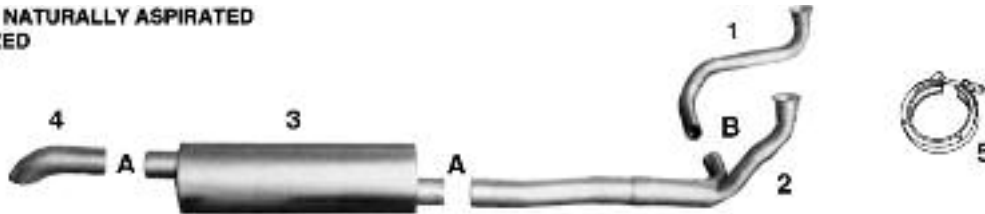
U.S. toll free 1-800-247-5391 • Fax 515-224-0727 • website: www.auto-jet.com
 Canada toll free 1-866-229-3402 • Fax 519-455-1103 • website: www.unitedmuffler.com

FORD 4

FORD 600-900 SERIES TRUCKS 8.2 LITRE

1980-1990 MODELS WITH 8.2 LITRE ENGINE

8.2 LITRE NATURALLY ASPIRATED
ALUMINIZED



YEAR	1 - Y PIPE RIGHT	2 - CROSSOVER PIPE LEFT	3 - MUFFLER	4 - TURN DOWN	5 - V-CLAMP
1980 TO 1983	82FY	82FCO	C-0010 (OVAL)	TD400	82FVCLNA
1983 TO 1987	82FY83	82FCO	11-0005 (11" ROUND)	TD400	82FVCLNA

REVERSE SYSTEM WITH MUFFLER ON LEFT, DRIVER'S SIDE

8.2 LITRE NATURALLY ASPIRATED
ALUMINIZED



YEAR	1 - Y PIPE LEFT	2 - CROSSOVER PIPE RIGHT	3 - MUFFLER	4 - TURN DOWN	5 - V-CLAMP
1980 TO 1983	82FYL	82FCOL	C-0010 (OVAL)	TD400	82FVCLNA
1983 TO 1989	82FY83L	82FCOL	11-0005 (11" ROUND)	TD400	82FVCLNA

1980-1989 8.2 LITRE TURBO

ALUMINIZED



YEAR	1 - TURBO PIPE	2 - MUFFLER	3 - TURN DOWN	4 - V-CLAMP
1983 & UP	82FTURBO83	40082FTA (11" ROUND)	TD400	82FVCLT
1980 TO 1982	82FTURBO	C-0010 (OVAL)	TD400	82FVCLT

ACCESSORIES

MUFFLER HANGERS



FORD 11MH (ROUND)



FORD OVMH (OVAL)



CLAMPS

A(4")
400SCPF
U-400

B(2³/₄")
275SCPF
U-275

UNITED MUFFLER CORP.

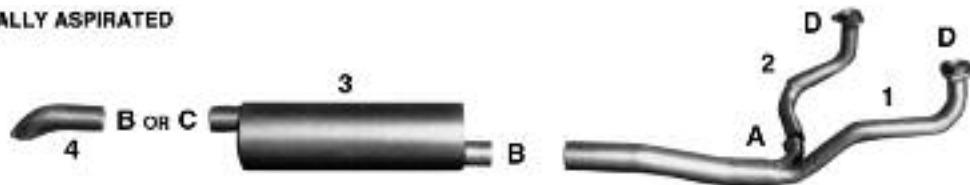
U.S. toll free 1-800-247-5391 • Fax 515-224-0727 • website: www.auto-jet.com
Canada toll free 1-866-229-3402 • Fax 519-455-1103 • website: www.unitedmuffler.com

FORD 5

FORD 600-900 SERIES TRUCKS

1975-1989 MODELS WITH 3208 CATERPILLAR

NATURALLY ASPIRATED



YEAR	1 - Y PIPE RIGHT	2 - CROSSOVER PIPE LEFT	3 - MUFFLER	4 - TAIL PIPE
1983 TO 1987	3208FY83	3208FCO83	11-0005	TD400
1979 TO 1982	3208FY79	3208FCO79	C-0055	TD350
1975 TO 1978	3208FY75	3208FCO75	C-0055	TD350

REVERSE SYSTEM WITH MUFFLER ON LEFT SIDE OF CHASSIS

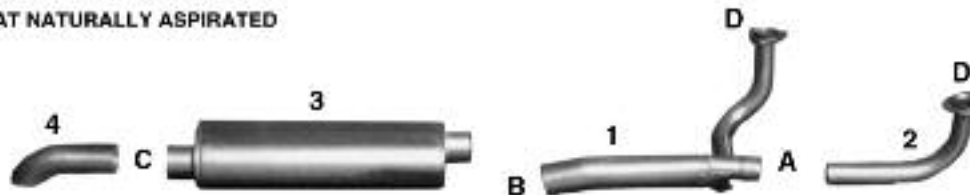


3208 CAT NATURALLY ASPIRATED

YEAR	1 - Y PIPE LEFT	2 - CROSSOVER PIPE LEFT	3 - MUFFLER	4 - TURN DOWN
1983 TO 1987	3208FY83L	3208FCO83L	11-0005	TD400

1980-1989 L-SERIES

3208 CAT NATURALLY ASPIRATED



1980 TO 1989	1 - Y PIPE RIGHT	2 - CROSSOVER PIPE LEFT	3 - MUFFLER	4 - TURN DOWN
WITH CONSTRUCTION OPTION	3208FLYWC	3208FLCO	C-0010	TD400
WITHOUT CONSTRUCTION OPTION	3208FLYWOC (PICTURED)	3208FLCO	C-0010	TD400

ACCESSORIES

EXHAUST RING



3208ER

MUFFLER HANGERS



FORD 11MH (ROUND)



FORD OVMH (OVAL)



A(2³/₄"')

275SCPF

U-275

B(4"')

400SCPF

U-400

CLAMPS

C(4" 83 & UP)

400SCPF

U-400

C(3¹/₂" 75-82)

350SCPF

U-350

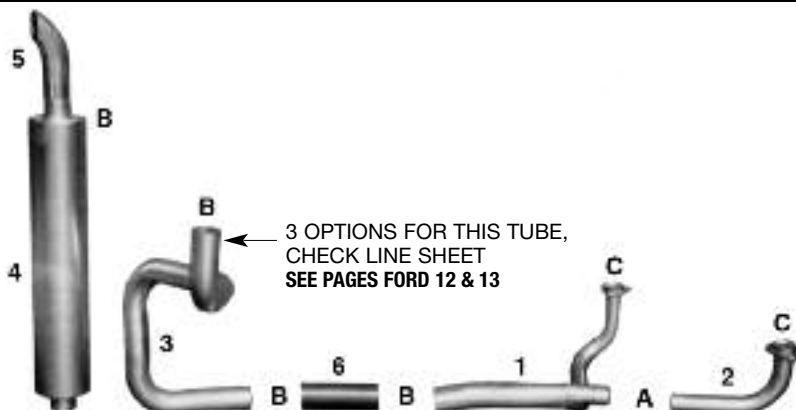
UNITED MUFFLER CORP.

U.S. toll free 1-800-247-5391 • Fax 515-224-0727 • website: www.auto-jet.com
 Canada toll free 1-866-229-3402 • Fax 519-455-1103 • website: www.unitedmuffler.com

FORD 6

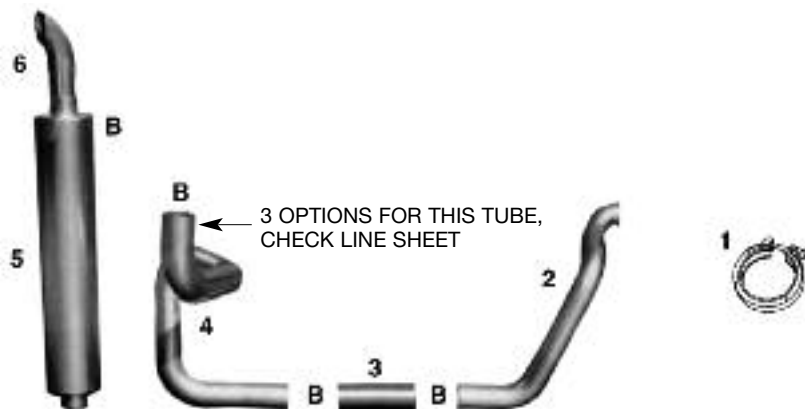
FORD L-SERIES

1980-1986 L, LN, LNT, LT, LTS SERIES WITH CAT 3208N ENGINES



	1 - Y PIPE LEFT	2 - CROSSOVER PIPE RIGHT	3 - FLEX TO MUFFLER PIPE	4 - MUFFLER	5 - STACK	6 - FLEX
WITH CONSTRUCTION OPTION	3208FLYWC	3208FLCO	5A212B 5A212C 5A212F	V9-0010	STAK484	FLEX40012
WITHOUT CONSTRUCTION OPTION	3208FLYWOC	3208FLCO	5A212B 5A212C 5A212F	V9-0010	STAK484	FLEX40012

1982-1989 L, LN, LNT, LT, LTS SERIES WITH CAT 3208T ENGINES



1 - V-CLAMP	2 - TURBO PIPE	3 - FLEX	4 - EXTENSION	5 - MUFFLER	6 - STACK
3208VCLT	AUTO TRANS: 46848G STD. TRANS: 46948G	FLEX40018	5A212B 5A212C 5A212F	B400400	STAK484

ACCESSORIES

EXHAUST RING

C



3208ER

See page ACC 7 for Muffler Guards and Clamp Kits.



CLAMPS

A(2³/₄"')

B(4"')

275SCPF

400SCPF

U-275

U-400

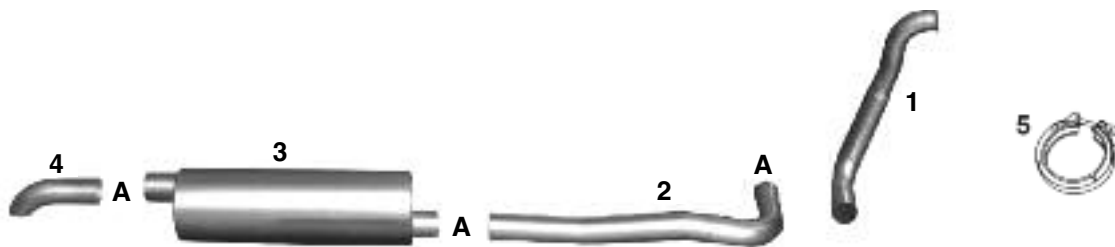
UNITED MUFFLER CORP.

U.S. toll free 1-800-247-5391 • Fax 515-224-0727 • website: www.auto-jet.com
 Canada toll free 1-866-229-3402 • Fax 519-455-1103 • website: www.unitedmuffler.com

FORD 7

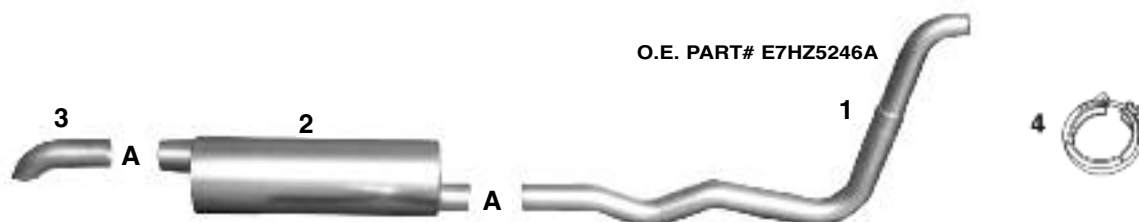
FORD 600-900

1987-UP 6.6 & 7.8 LITRE DIESEL MUFFLER RIGHT, F & L SERIES



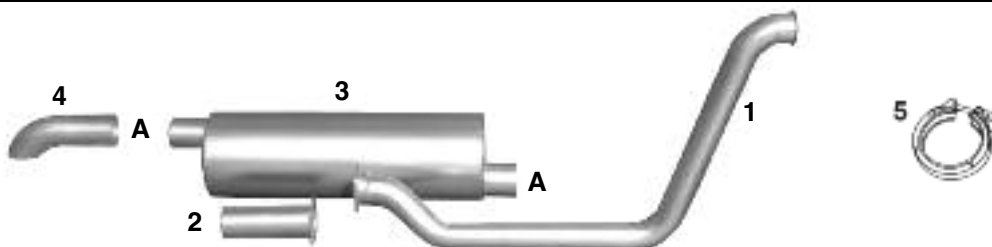
SIZE	1 - TURBO PIPE	2 -TURBO TO MUFFLER	3 - MUFFLER	4 - TURN DOWN	5 - V-CLAMP
6.6 LITRE	66FTURBO	F6TMP	11-0005	TD400	66FVCL
7.8 LITRE	78FTURBO	F6TMP L-SERIES - F6TMPL	11-0005	TD400	66FVCL

1987-UP 6.6 & 7.8 LITRE DIESEL MUFFLER LEFT, F- SERIES



SIZE	1 - TURBO PIPE	2 - MUFFLER	3 - TURN DOWN	4 - V-CLAMP
6.6-7.8 LITRE	66F81TURBO	11-0005	TD400	66FVCL

1987-UP 6.6 & 7.8 LITRE DIESEL C-SERIES CARGO



SIZE	1 - TURBO PIPE	2 -EXTENSION	3 - MUFFLER	4 - TURN DOWN	5 - V-CLAMP
6.6 LITRE	66FCTURBO	66FCEXT	11-0005	TD400	66FVCL
7.8 LITRE	78FCTURBO	66FCEXT	11-0005	TD400	66FVCL

ACCESSORIES

MUFFLER HANGER



FORD 11MH

CLAMPS



A(4")
400SCPF
U-400

UNITED MUFFLER CORP.

U.S. toll free 1-800-247-5391 • Fax 515-224-0727 • website: www.auto-jet.com
Canada toll free 1-866-229-3402 • Fax 519-455-1103 • website: www.unitedmuffler.com

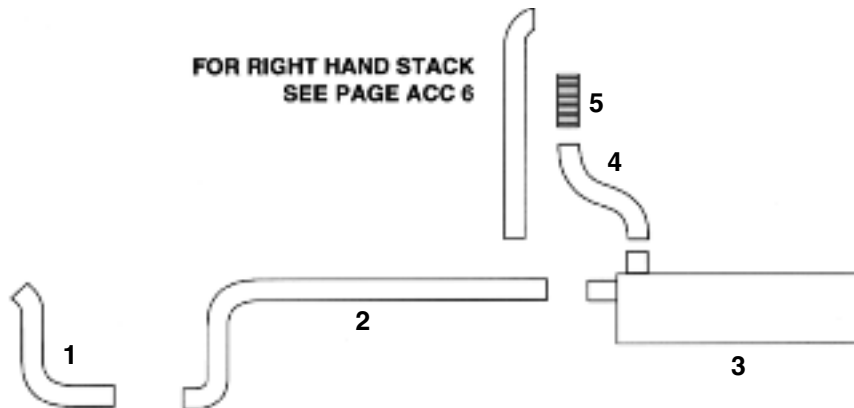
FORD 8

FORD 600-900 F & L SERIES

1988-UP 6.6 & 7.8 LITRE DIESEL WITH VERTICAL STACK

DIESEL

FOR RIGHT HAND STACK
SEE PAGE ACC 6



SIZE	1 - TURBO PIPE	2 -TURBO TO MUFFLER	3 - MUFFLER	4 - OUTLET PIPE	5 - FLEX
6.6 LITRE	66FTURBO	F6TMP	11-0010	F6MOPJ	FLEX40012
7.8 LITRE	78FTURBO	F6TMP L-SERIES - F6TMPL	11-0010	F6MOPJ	FLEX40012

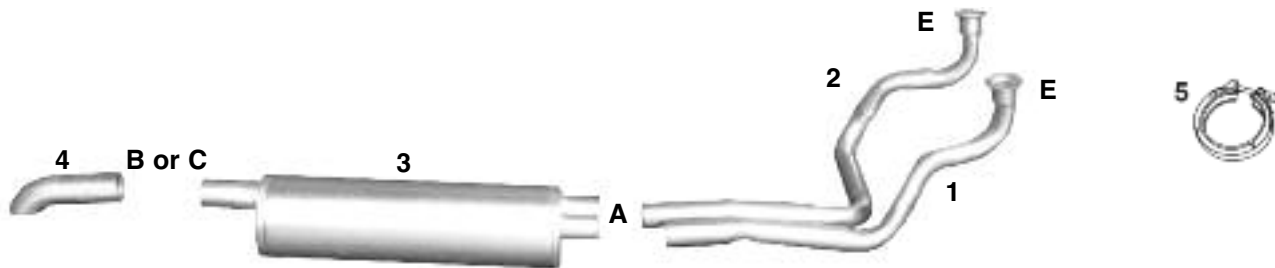
UNITED MUFFLER CORP.

U.S. toll free 1-800-247-5391 • Fax 515-224-0727 • website: www.auto-jet.com
Canada toll free 1-866-229-3402 • Fax 519-455-1103 • website: www.unitedmuffler.com

FORD 9

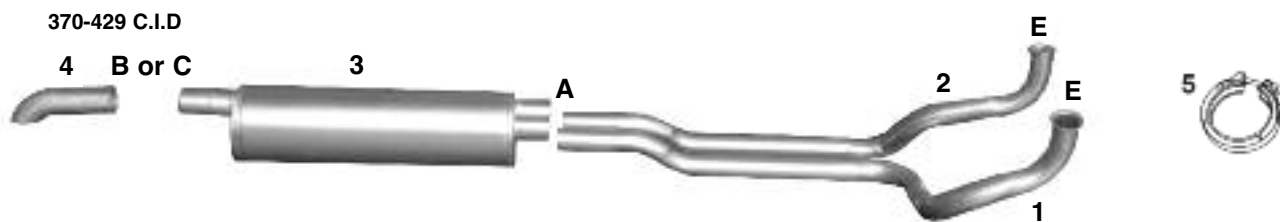
FORD F & L SERIES

1980-1992 370-429 C.I.D.



YEAR	1 - RIGHT MANIFOLD PIPE	2 -LEFT MANIFOLD PIPE	3 - MUFFLER	4 - TURN DOWN	5 - V-CLAMP
1989 TO 1993	370R89	370L89	85-0006	TD350	370VCL89
1985 TO 1988	370R85SS	370L85SS	85-0005	TD275	370VCLHD
1980 TO 1984	370R83	370L83	85-0005	TD275	370VCLHD
1980 TO 1988	370R80L	370L80L	85-0005	TD275	370VCLHD

F & L-SERIES MUFFLER ON LEFT SIDE OF CHASSIS



YEAR	1 - RIGHT MANIFOLD PIPE	2 -LEFT MANIFOLD PIPE	3 - MUFFLER	4 - TURN DOWN	5 - V-CLAMP
1989 & UP	370R89ML	370L89ML	85-0006	TD350	370VCL89
1980 TO 1988	370R83ML	370L83ML	85-0005	TD275	370VCLHD

ACCESSORIES



UNITED MUFFLER CORP.

U.S. toll free 1-800-247-5391 • Fax 515-224-0727 • website: www.auto-jet.com
 Canada toll free 1-866-229-3402 • Fax 519-455-1103 • website: www.unitedmuffler.com

FORD 10

FORD EXHAUST COMPONENTS

ACCESSORIES / REPLACEMENT PARTS

MANIFOLD

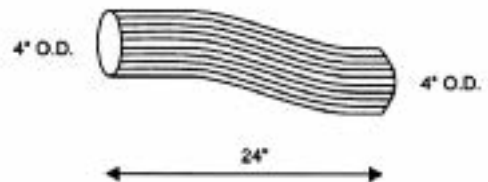
370-429 C.I. WITH AIR TUBE HOLES
PLUGS OR AIR TUBES IN STOCK
RIGHT OR LEFT HAS SAME PART #
OE # F2HZ9430OE



PART # 370MAN

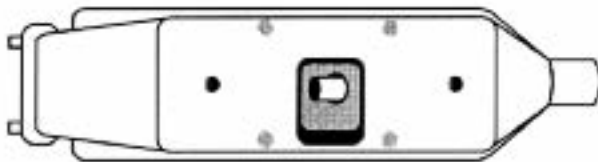
EXTENSION PIPE

AUTO-JET PART NO.: F6MOPJ
Replaces Ford Part No. E7HZ5255D
Requires FLEX40012 on outlet end to replace O.E.

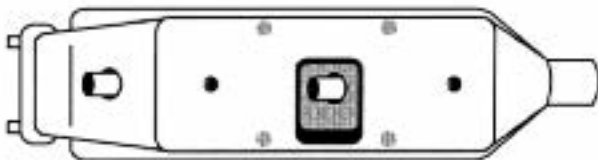


CONVERTERS

1987-1995 FORD PICK-UP & VAN,
351 C.I. & 460 C.I., WITH 4-BOLT FLANGE



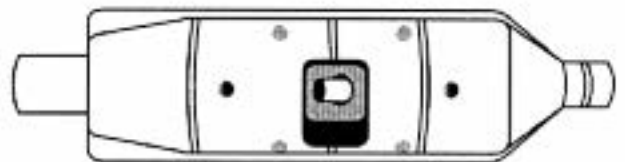
PART # CONVBM1 - 1 Air Tube



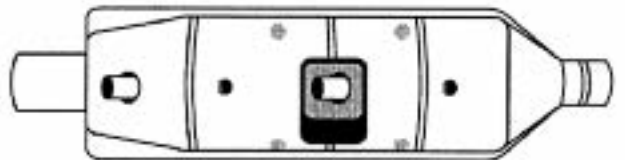
PART # CONVBM2 - 2 Air Tube

CONVERTERS

1996-UP FORD, 351 C.I. & 460 C.I., 3" SLIPFIT



PART # CONVFORD31 - 1 Air Tube



PART # CONVFORD32 - 2 Air Tube

UNITED MUFFLER CORP.

U.S. toll free 1-800-247-5391 • Fax 515-224-0727 • website: www.auto-jet.com
Canada toll free 1-866-229-3402 • Fax 519-455-1103 • website: www.unitedmuffler.com

FORD EXHAUST COMPONENTS

ACCESSORIES / REPLACEMENT PARTS

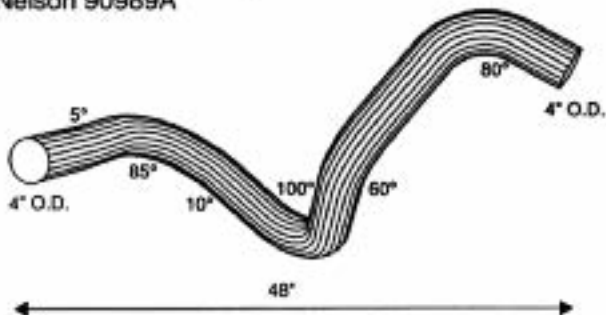
EXHAUST PIPE

AUTO-JET PART NO.: 5A212C

Replaces Ford Part No. E2HZ5A212C

Caterpillar 3208T Engines LN-LNT 8000 Series

Nelson 90989A



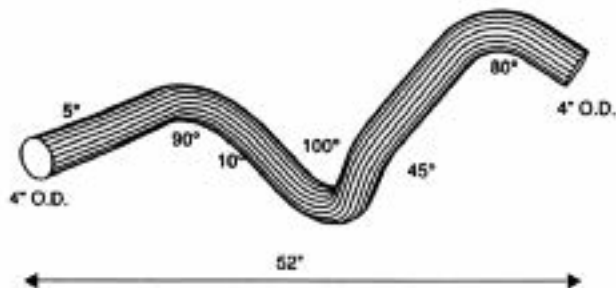
EXHAUST PIPE

AUTO-JET PART NO.: 5A212F

Replaces Ford Part No. E2HZ5A212F

Caterpillar 3208T Engines L-LT-LTS 8000 Series

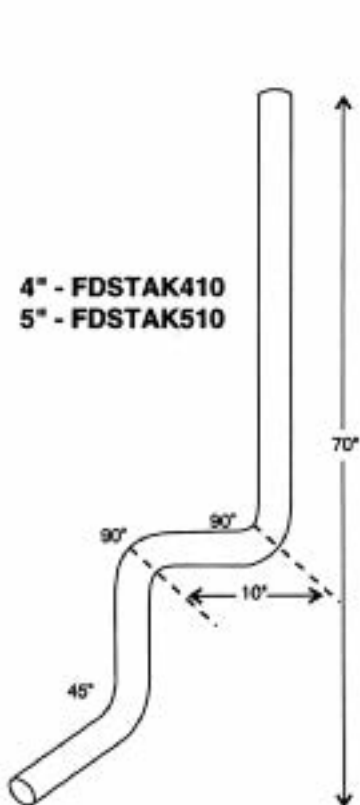
Nelson 90990



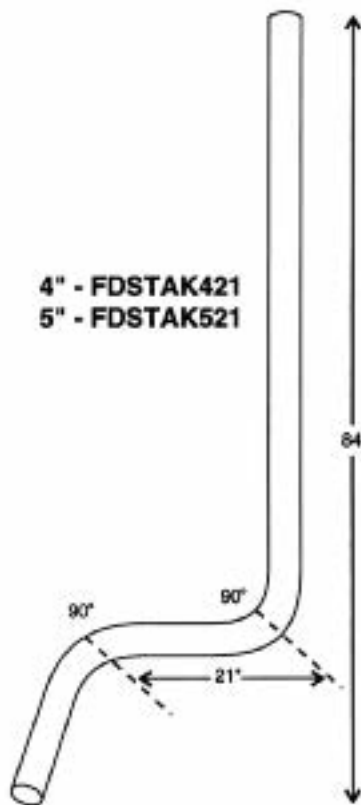
FORD STACKS

FOR TRUCKS WITH HORIZONTAL MUFFLERS
INCLUDING STATE HIGHWAY DEPARTMENT TRUCKS.

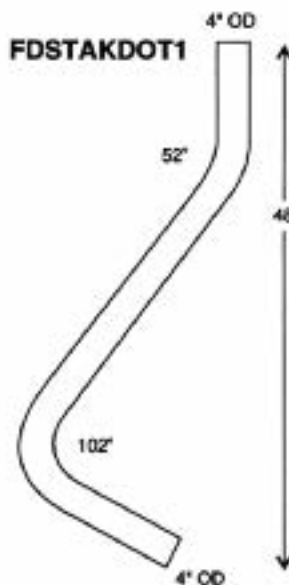
4" - FDSTAK410
5" - FDSTAK510



4" - FDSTAK421
5" - FDSTAK521



FDSTAKDOT1



FDSTAKDOT2



UNITED MUFFLER CORP.

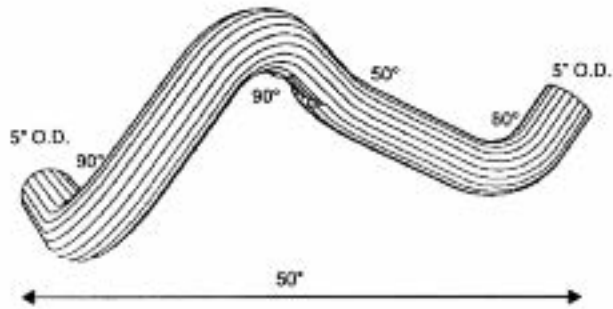
U.S. toll free 1-800-247-5391 • Fax 515-224-0727 • website: www.auto-jet.com
Canada toll free 1-866-229-3402 • Fax 519-455-1103 • website: www.unitedmuffler.com

FORD EXHAUST COMPONENTS

ACCESSORIES / REPLACEMENT PARTS

AUTO-JET PART NO.: 99290L

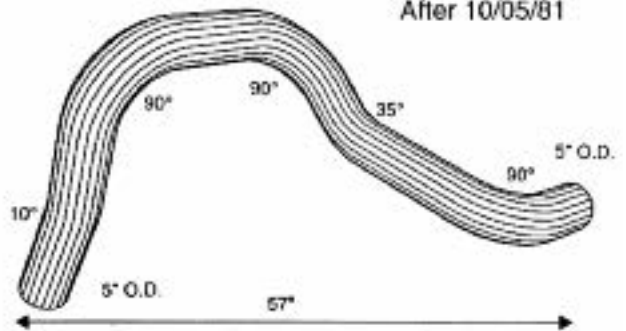
Replaces Ford Part No. E0HZ5A212F
Cummins NTC Engines LN-LNT 9000 Series



EXTENSION

AUTO-JET PART NO.: 92190L

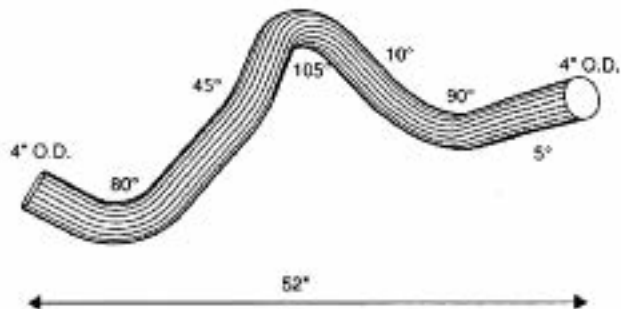
Replaces Ford Part No. E2HZ5A212B
Cummins NTC Engines LTL 9000 Series
After 10/05/81



EXTENSION

AUTO-JET PART NO.: 5A212B

Replaces Ford Part No. E0HZ5A212B
Caterpillar 3208N Engines L-LT-LTS 8000 Series

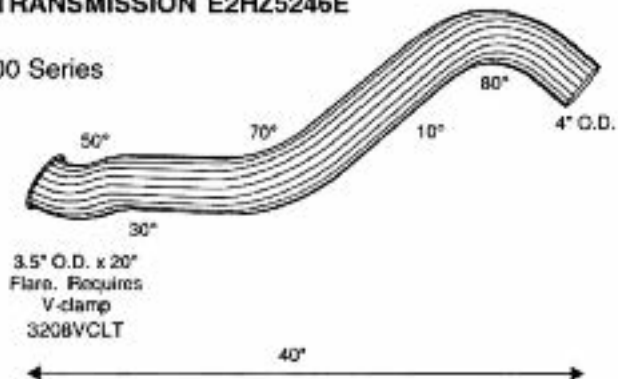


INLET PIPE

AUTO-JET PART NO.: 46848G - AUTOMATIC TRANSMISSION E2HZ5246D
46948G - STANDARD TRANSMISSION E2HZ5246E

Caterpillar 3208T Engines L-LN-LNT-LT-LTS 8000 Series

3208VCLT



UNITED MUFFLER CORP.

U.S. toll free 1-800-247-5391 • Fax 515-224-0727 • website: www.auto-jet.com
Canada toll free 1-866-229-3402 • Fax 519-455-1103 • website: www.unitedmuffler.com

FORD 13

FORD MUFFLERS

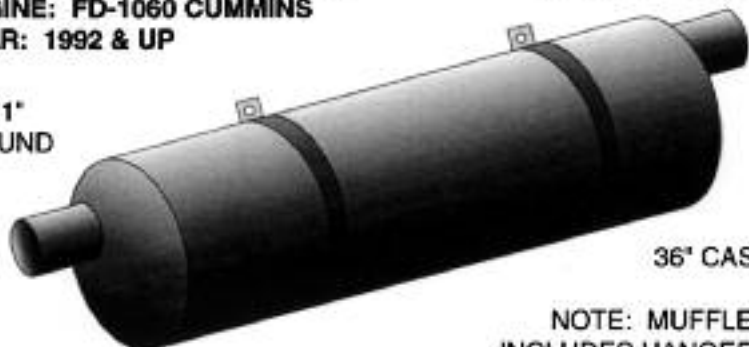


MEDIUM DUTY, END INLET - END OUTLET

AUTO-JET PART NO.: 400FDA
APPLICATION: DIESEL TURBO
ENGINE: FD-1060 CUMMINS
YEAR: 1992 & UP

4" OUTLET - OFFSET

11"
ROUND

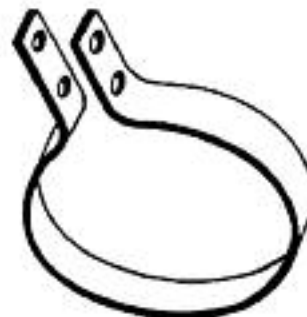


36" CASE

NOTE: MUFFLER
INCLUDES HANGERS

4" INLET - OFFSET

MUFFLER HANGER



FOR HANGERS ONLY,
ORDER #1100MH

AUTO-JET PART NO.: 40082FTA
APPLICATION: DIESEL TURBO
ENGINE: 8.2 LITRE & 3208 CAT.
YEAR: 1983 TO 1988

4" OUTLET - OFFSET

11"
ROUND



30" CASE

4" INLET - OFFSET

MUFFLER HANGER



#FORD11MH

AUTO-JET PART NO.: 6-0025
APPLICATION: GAS
ENGINE: 330 - 361 - 389 - 391 C.I.
YEAR: 1978 & PRIOR

2-1/2" OUTLET - OFFSET

6"
ROUND



26-1/2" CASE

MUFFLER HANGER



UNITED MUFFLER CORP.

U.S. toll free 1-800-247-5391 • Fax 515-224-0727 • website: www.auto-jet.com
Canada toll free 1-866-229-3402 • Fax 519-455-1103 • website: www.unitedmuffler.com

FORD 14

AUTO-JET PART NO.: C-0010
APPLICATION: DIESEL
ENGINE: 8.2 LITRE & 3208 CAT.
YEAR: 1979 TO 1982

8-1/4 X 11-1/2"
 OVAL



4" INLET - OFFSET

4" OUTLET - OFFSET

26-1/2" CASE

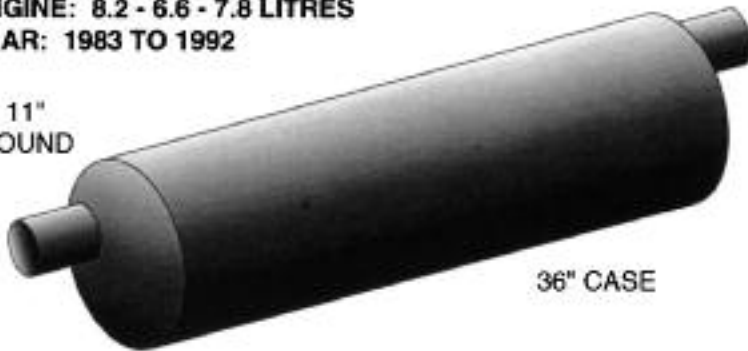
MUFFLER HANGER
 OVAL



#FORDOVMH

AUTO-JET PART NO.: 11-0005
APPLICATION: DIESEL
ENGINE: 8.2 - 6.6 - 7.8 LITRES
YEAR: 1983 TO 1992

11"
 ROUND



4" INLET - OFFSET

4" OUTLET - OFFSET

36" CASE

MUFFLER HANGER
 11" ROUND



#FORD11MH

AUTO-JET PART NO.: 85-0005 (2-3/4" OUTLET)
APPLICATION: GAS 370 C.I. & 429 C.I.
YEAR: 1979 TO 1991
AUTO-JET PART NO.: 2-250350 (3-1/2" OUTLET)
APPLICATION: SAME
YEAR: 1992 & UP

8-1/2"
 ROUND

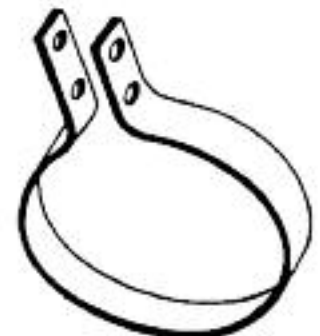


2-1/2" DUAL INLETS

2-3/4" OR 3-1/2"
 OUTLET

30" CASE

MUFFLER HANGER



#850MH

UNITED MUFFLER CORP.

U.S. toll free 1-800-247-5391 • Fax 515-224-0727 • website: www.auto-jet.com
 Canada toll free 1-866-229-3402 • Fax 519-455-1103 • website: www.unitedmuffler.com

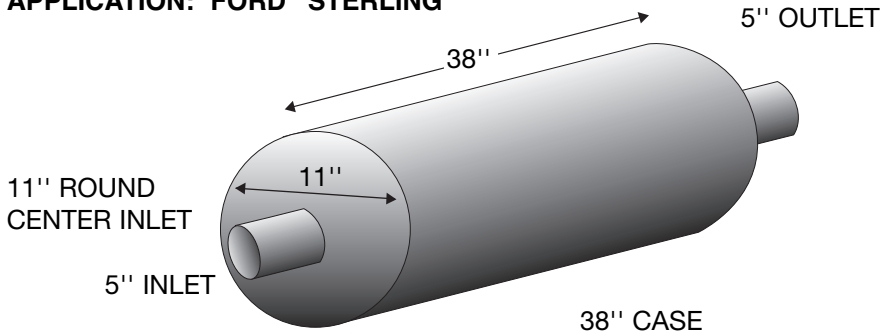
FORD 15

FORD MUFFLERS

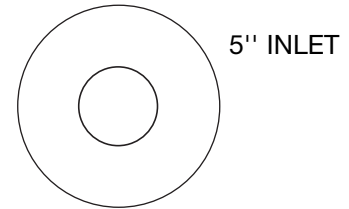


CENTER INLET

AUTO-JET PART NO.: 11-0045
APPLICATION: FORD "STERLING"

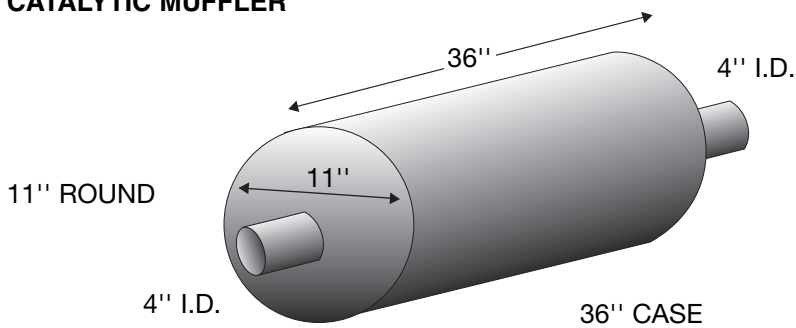


INLET END VIEW

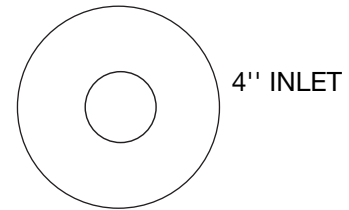


5" INLET
5" CENTER INLET & OUTLET
11" ROUND

AUTO-JET PART NO.: 400FDCAT
FORD PART NO.: F7HZ5F250Y
APPLICATION: B-SERIES CUMMINS DIESEL CATALYTIC MUFFLER

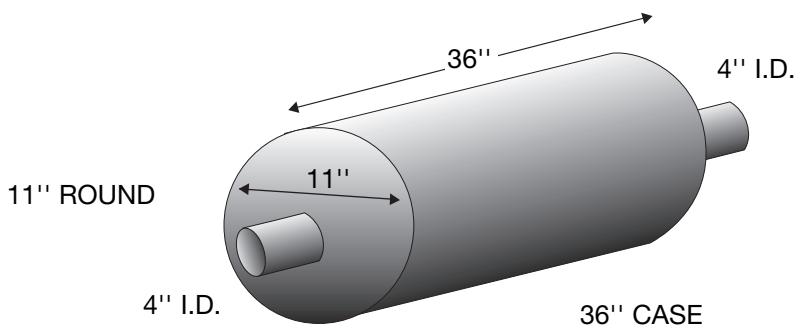


CATALYTIC MUFFLER

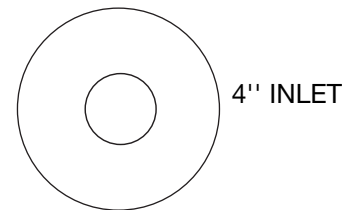


4" INLET
4" CENTER INLET & OUTLET
11" ROUND

AUTO-JET PART NO.: 400FDCATC
APPLICATION: C-SERIES CUMMINS DIESEL CATALYTIC MUFFLER



CATALYTIC MUFFLER



4" INLET
4" CENTER INLET & OUTLET
11" ROUND

UNITED MUFFLER CORP.

U.S. toll free 1-800-247-5391 • Fax 515-224-0727 • website: www.auto-jet.com
Canada toll free 1-866-229-3402 • Fax 519-455-1103 • website: www.unitedmuffler.com

FORD 16

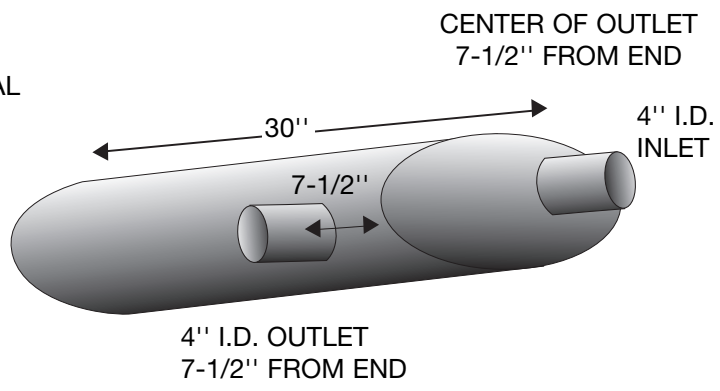


FORD MUFFLERS

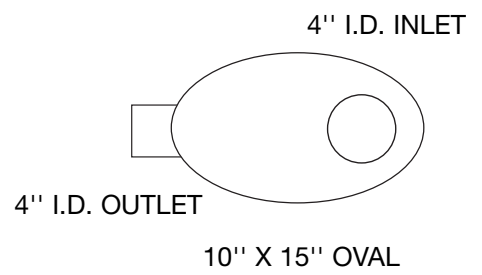
SIDE OUTLET

AUTO-JET PART NO.: CUS-133-01

10" X 15" OVAL
30" CASE

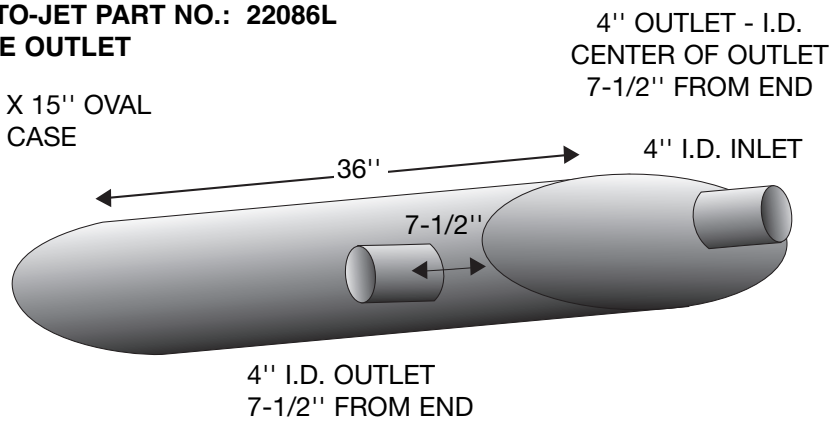


INLET END VIEW

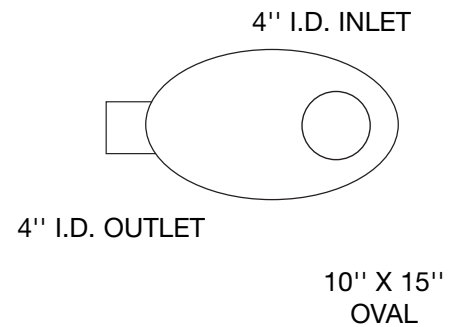


AUTO-JET PART NO.: 22086L
SIDE OUTLET

10" X 15" OVAL
36" CASE

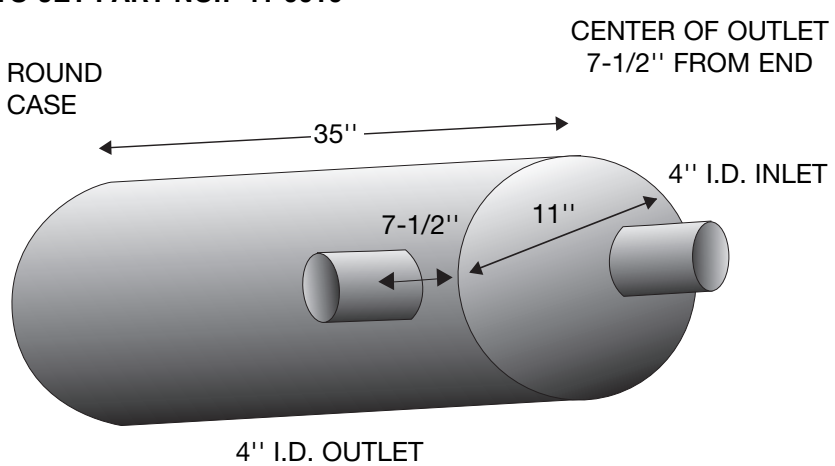


INLET END VIEW

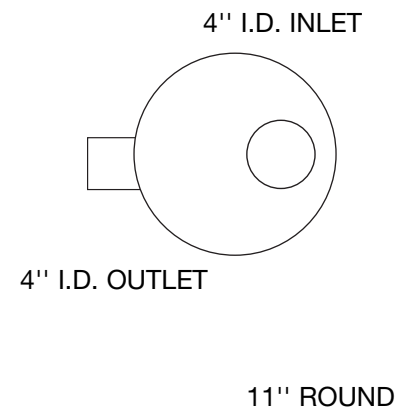


AUTO-JET PART NO.: 11-0010

11" ROUND
35" CASE



INLET END VIEW



UNITED MUFFLER CORP.

U.S. toll free 1-800-247-5391 • Fax 515-224-0727 • website: www.auto-jet.com
Canada toll free 1-866-229-3402 • Fax 519-455-1103 • website: www.unitedmuffler.com

FORD 17

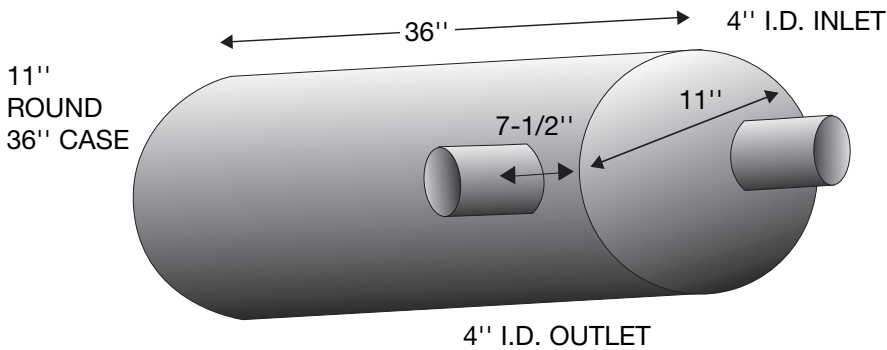
FORD MUFFLERS



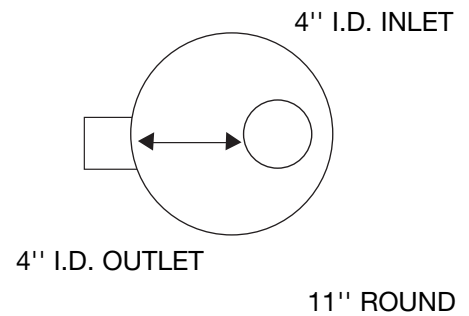
SIDE OUTLET

**AUTO-JET PART NO.: 11-0010 HEAVY DUTY
53086L ECONOMY**

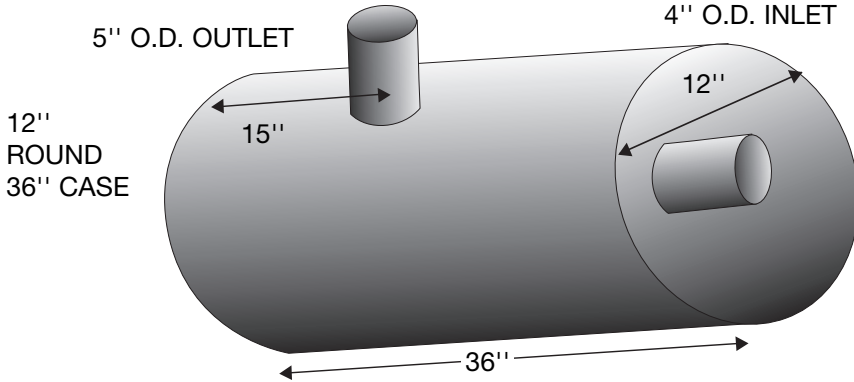
**CENTER OF OUTLET
7-1/2" FROM END**



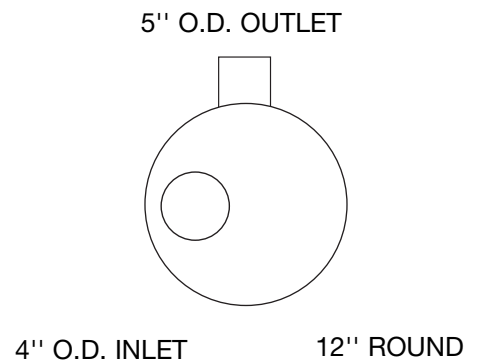
INLET END VIEW



**FORD L-SERIES
AUTO-JET PART NO.: 12-0005**

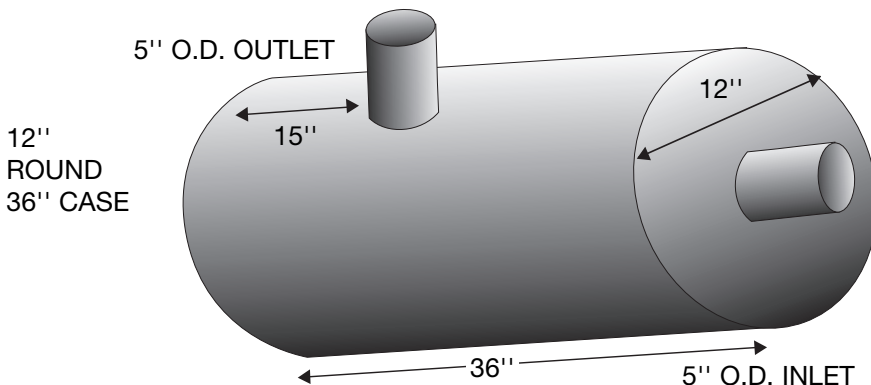


INLET END VIEW

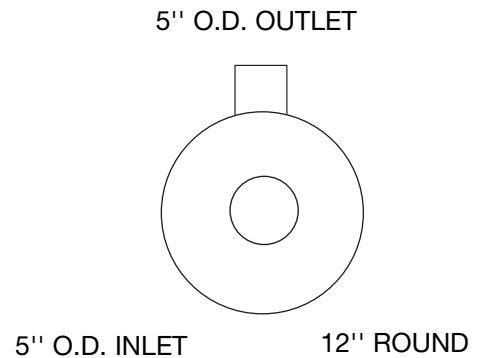


CENTER OF OUTLET 15" FROM END

**FORD L-SERIES
AUTO-JET PART NO.: 12-0010 HEAVY DUTY
86655L ECONOMY**



INLET END VIEW



CENTER OF OUTLET 15" FROM END

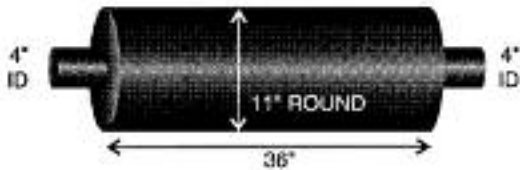
UNITED MUFFLER CORP.

U.S. toll free 1-800-247-5391 • Fax 515-224-0727 • website: www.auto-jet.com
Canada toll free 1-866-229-3402 • Fax 519-455-1103 • website: www.unitedmuffler.com

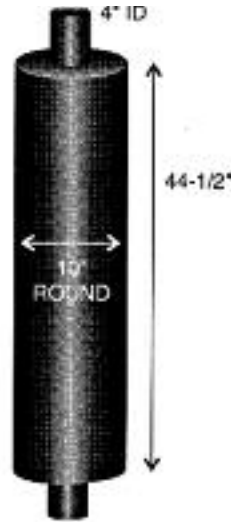
FORD MUFFLERS

CATALYTIC CONVERTER MUFFLERS

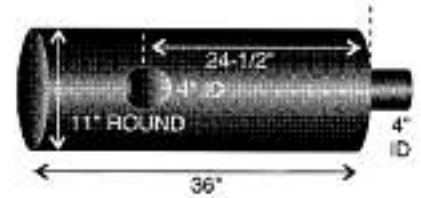
**HORIZONTAL
B-SERIES CUMMINS
PART #: 400FDCAT
C-SERIES CUMMINS
PART #: 400FDCATC**



**VERTICAL
B-SERIES CUMMINS
PART #: 400FDCATBV
C-SERIES CUMMINS
PART #: 400FDCATCV**

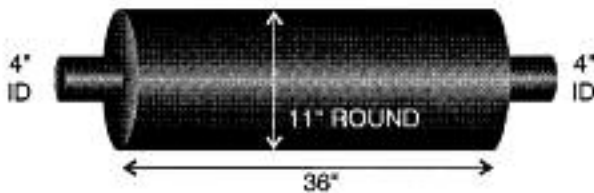


**HORIZONTAL
END IN-SIDE OUT
WITH VERTICAL STACK
B-SERIES CUMMINS
PART #: 110399DB**



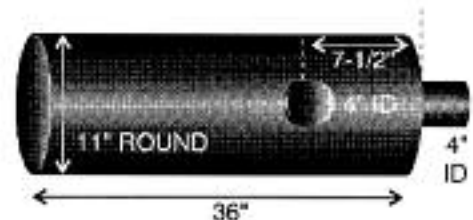
NON-CATALYTIC CONVERTER MUFFLERS

PART #: 11-0025



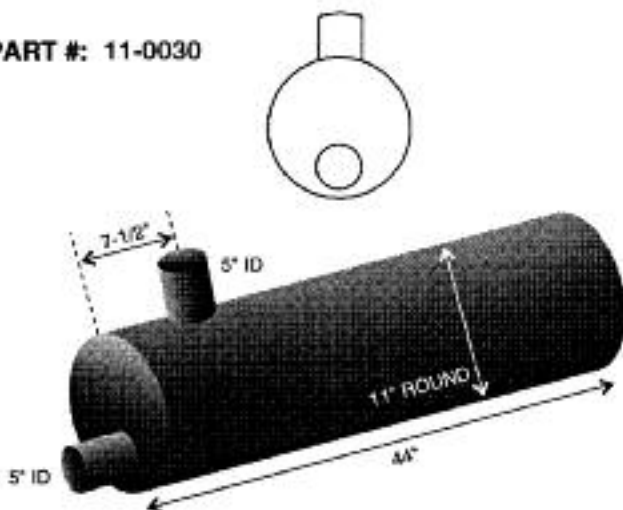
Center In - Center Out

PART #: 11-0035

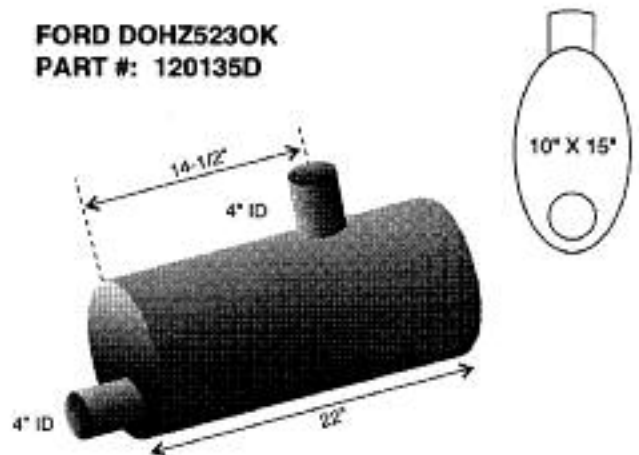


Center In - Side Out

PART #: 11-0030



**FORD DOHZ523OK
PART #: 120135D**



UNITED MUFFLER CORP.

U.S. toll free 1-800-247-5391 • Fax 515-224-0727 • website: www.auto-jet.com
Canada toll free 1-866-229-3402 • Fax 519-455-1103 • website: www.unitedmuffler.com

FORD 19

United #	Sterling/Freightliner #
11-0005	04-19936-004
11-0050	04-20628-001
11-0065	04-20831-000
11-0085	04-18814-007
11-0090	04-17815-001
11-0095	04-19131-005
CUS-106-09	04-22804-000
CUS-175-08	04-20185-000
STER300T	F8HT5246NA
50032E	F6HZ5255AAA
STER3126T	XC455246BA
STERFMMD	F6HZ5A212FA
FDSTAK510	F7HZ5255AAA
F6MOPJ	E7HZ5255D
5A212C	E2HZ5A212C
5A212F	E2HZ5A212F
99290L	EOHZ5A212F
92190L	E2HZ5A212B
5A212B	E0HZ5A212B
46848G	E2HZ5246D
46948G	E2HZ5246E
400FDCAT	F7HZ5F250Y
FRLMH919	A04-20919-000
FRLMH919	A04-20920-000
FRL11MH	A04-17998-001
FRL11MH02	A04-19205-001
FRLMHRUB	04-19919
66F81TURBO	E7HZ5246A

UNITED MUFFLER CORP.

U.S. toll free 1-800-247-5391 • Fax 515-224-0727 • website: www.auto-jet.com
Canada toll free 1-866-229-3402 • Fax 519-455-1103 • website: www.unitedmuffler.com

FORD 20