



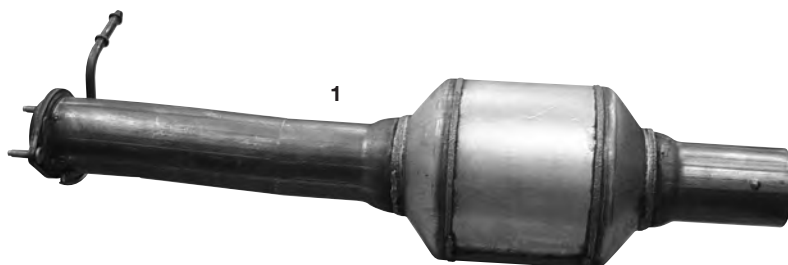
***Auto-jet***  
**MUFFLER CORP.**

*Manufacturing Heavy Duty Mufflers - Exhaust and Intake Systems Since 1959*

**FORD**

# FORD EXHAUST SYSTEM

## 2004 - 2006 E-350 & E-450 VAN 6.0 LITRE



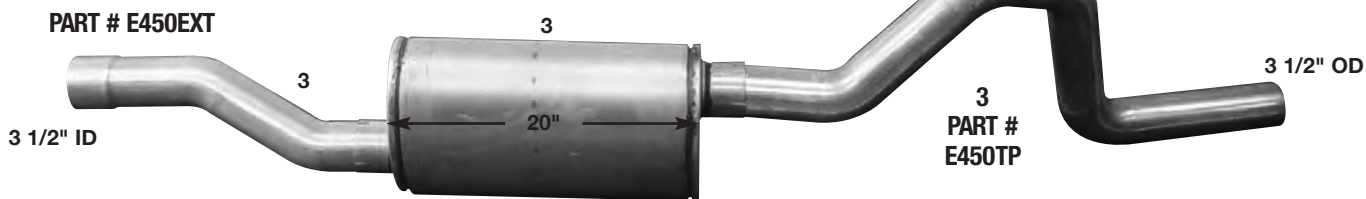
OE #'S ARE FOR  
CROSS REFERENCE  
ONLY



OFFSET  
AVAILABLE

FOR E-350 USE PART # E-350CMP

SHIPS 3 PC.



PART # C-0045  
OR C-0085  
26.5" CASE



HANGER  
PART # E450HGR1



E-450  
PART # E450HGR2



PART # E450HGR3



E-350  
PART # E350HGR2

DESCRIPTION	1 CONVERTER	2 CONVERTER TO MUFFLER PIPE	3 MUFFLER & TAILPIPE
AUTO-JET PART #	FORD CONV 6	E-450CMP	E-450ASSY
O.E. PART #	5C2Z5E212B	7C2Z-5A212-KA (NEED WHEELBASE 158" OR 176")	4C2Z5230GA INCLUDES HANGERS

**AUTO-JET MUFFLER CORP.**

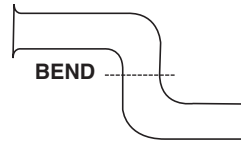
TOLL FREE 1-800-247-5391 • FAX 515-224-0727 • WWW.AUTO-JET.COM

**FORD 1**

# STERLING 1998-UP EXHAUST PARTS

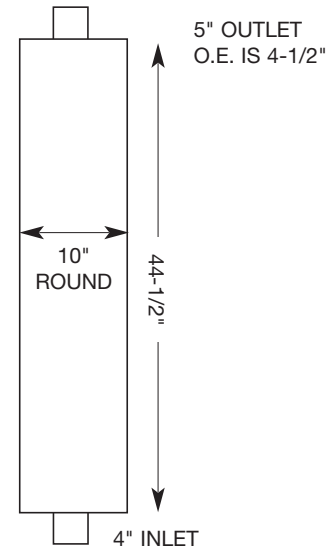
## 300 CUMMINS TURBO PIPE

PART NO.:  
STER300T  
O.E. # F8HT5246NA



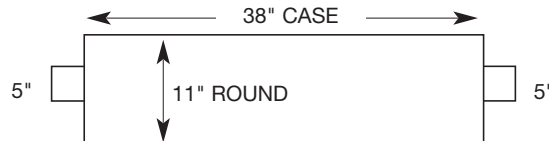
## VERTICAL MUFFLER

PART NO.: V10-0010



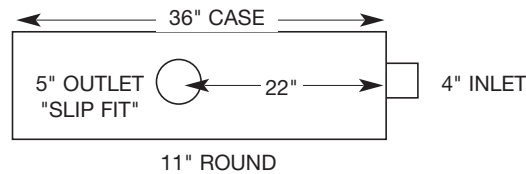
## HORIZONTAL MUFFLERS

PART NO.: 11-0045

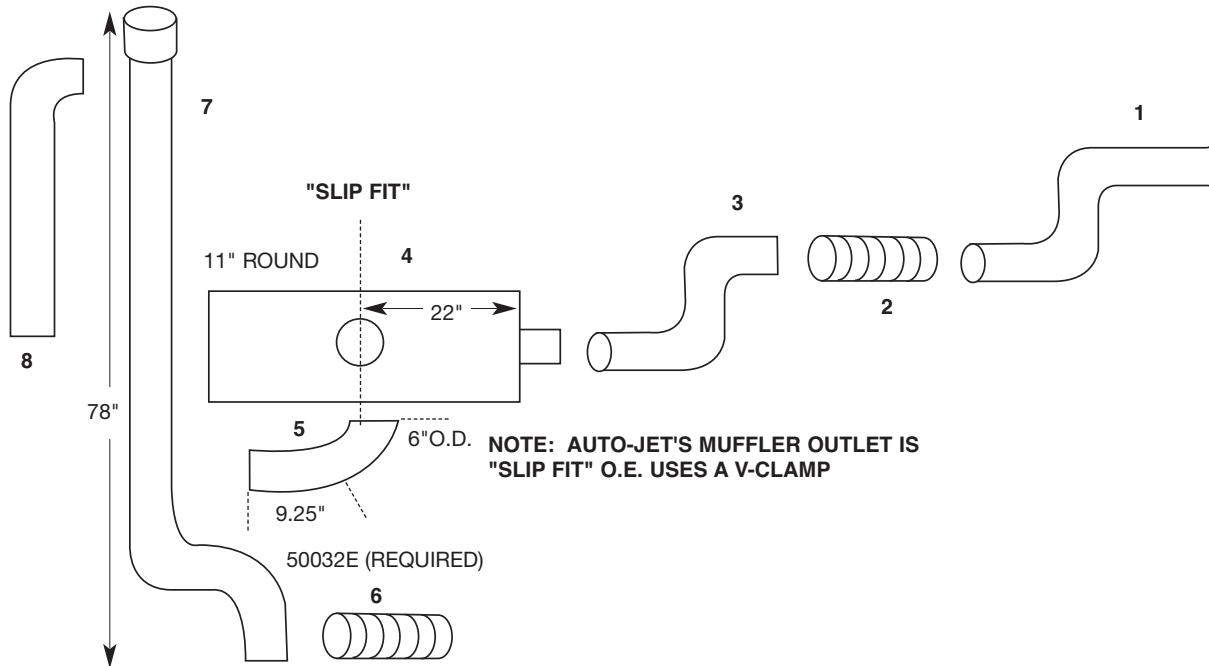


PART NO.: 11-0050  
O.E. # 04-20629-001

NOTE: OUTLET REQUIRES 5"  
32° ELBOW PART#50032E  
REPLACES O.E.#F6HZ5255AAA



## STERLING 1998-UP 3126 CATERPILLAR



1 - TURBO PIPE	2 - FLEX	3 - FLEX TO MUFFLER PIPE	4 - MUFFLER	5 - MUFFLER OUTLET PIPE	6 - FLEX	7 - STACK	8 - STACK EXTENSION
STER3126T	FLEX40012	STERFMMD	11-0050	FORD50032E	FLEX50024	FDSTAK510	STAK485
O.E.# XC455246BA	--	F6HZ5A212FA	04-20629-001	F6HZ5255AAA	--	F7HZ5255AAA	5" O.D. 48" LONG W/ TURNOUT

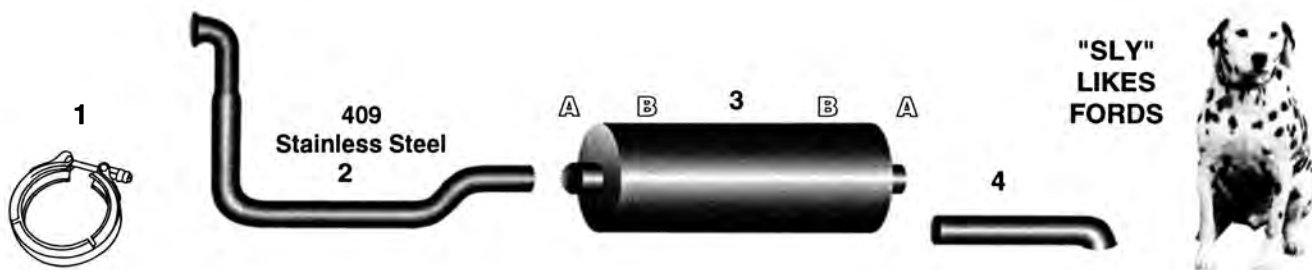
## AUTO-JET MUFFLER CORP.

TOLL FREE 1-800-247-5391 • FAX 515-224-0727 • WWW.AUTO-JET.COM

**FORD 2**

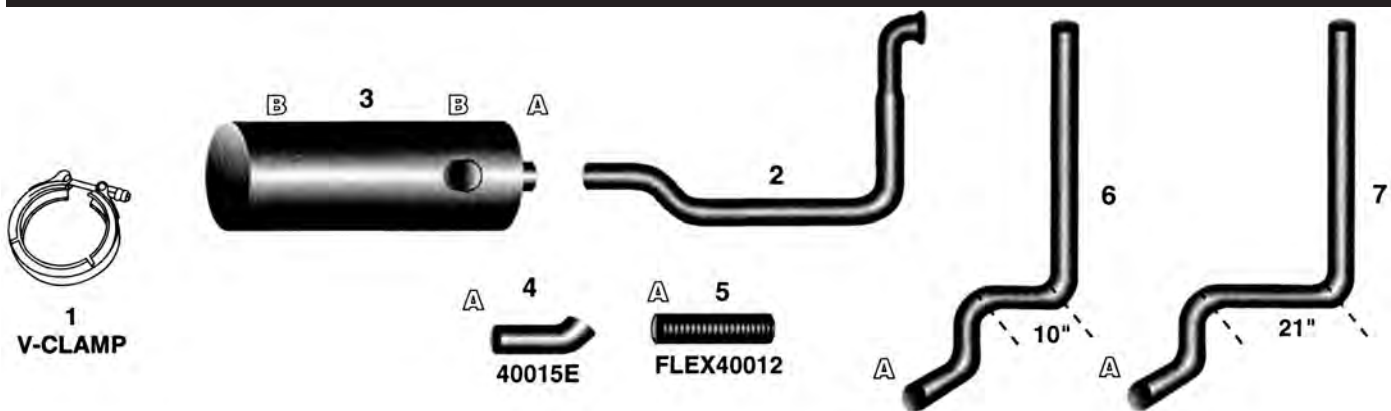
# FORD 1996-UP EXHAUST PARTS

## 1996-UP FORD FD-1060 CUMMINS B-SERIES DIESEL



DESCRIPTION	1 V-CLAMP	2 TURBO PIPE	3-MUFFLER		4
			CATALYTIC	NON-CATALYTIC	TURN DOWN
PART #	FDVCL96	FD1060T96A(ALUMINIZED)	400FDCAT	11-0025	TD400

## 1996-UP FORD FD-1060 CUMMINS B-SERIES DIESEL WITH STACK



DESCRIPTION	1 V-CLAMP	2 TURBO PIPE	3-MUFFLER NON-CATALYTIC	4-FLEX MUFFLER OUTLET	5 FLEX	STACK PIPE 6 OR 7	
PART #	FDVCL96	FDI060T96S (STAINLESS) FD1060T96A(ALUMINIZED)	11-0035	40015E	FLEX40012	FDSTAK410	FDSTACK421

## ACCESSORIES



DESCRIPTION	CLAMPS		MUFFLER HANGERS
	A	B	
PART #	400SCPF	U-400	1100MH

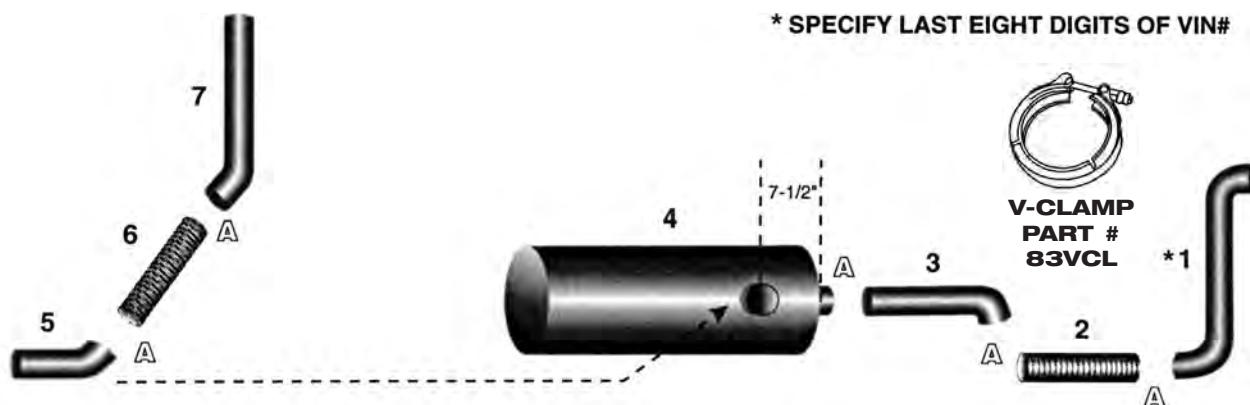
## AUTO-JET MUFFLER CORP.

TOLL FREE 1-800-247-5391 • FAX 515-224-0727 • WWW.AUTO-JET.COM

**FORD 3**

# FORD EXHAUST SYSTEMS

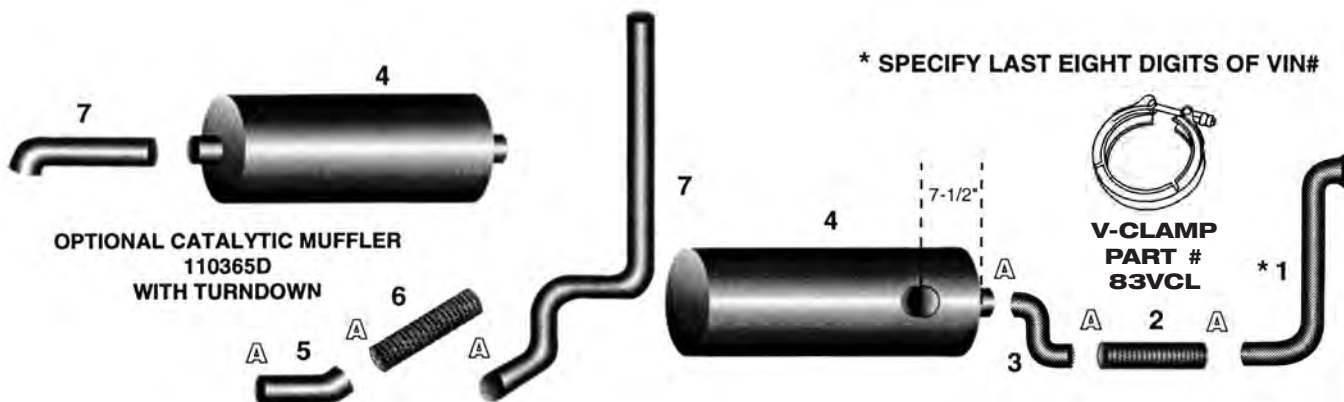
## 1993-UP C-F-L-SERIES FD-1460 CUMMINS DIESEL



DESCRIPTION	1 TURBO-PIPE	2 FLEX	3 ELBOW	4-MUFFLER NON-CATALYTIC	5 ELBOW	6 FLEX	7 STACK
PART #	FD1460TA*	FLEX40012	4003OE	11-0035	40045E	FLEX40024	STAK48445

See accessories on top of page FORD 3.

## 1993-UP FORD FD-1460 CUMMINS C-F-L-SERIES DIESEL WITH CATALYTIC MUFFLER



DESCRIPTION	1	2	3 - OFFSET	4 - MUFFLER		5	6	7 - STACK/ TURNDOWN
	TURBO PIPE	FLEX	PIPE	CATALYTIC	NON-CATALYTIC	ELBOW	FLEX	
SYSTEMS WITH PASS. SIDE STACK	FD1460TSS	FLEX40012	FORDEXT964	N/A	11-0035	40015E	FLEX40018	FDSTAK410
NO STACK - USES TURNDOWN	FD1460TSS	FLEX40012	FORDEXT964	400FDCATC	11-0025	—	—	TD400

See accessories on top of page FORD 3.

## AUTO-JET MUFFLER CORP.

TOLL FREE 1-800-247-5391 • FAX 515-224-0727 • WWW.AUTO-JET.COM

**FORD 4**

# FORD EXHAUST COMPONENTS

## ACCESSORIES / REPLACEMENT PARTS

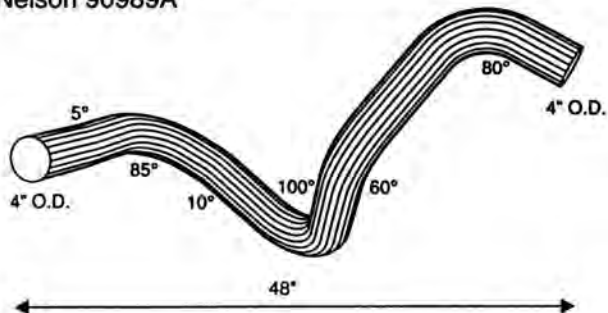
### EXHAUST PIPE

**AUTO-JET PART NO.:** 5A212C

Replaces Ford Part No. E2HZ5A212C

Caterpillar 3208T Engines LN-LNT 8000 Series

Nelson 90989A



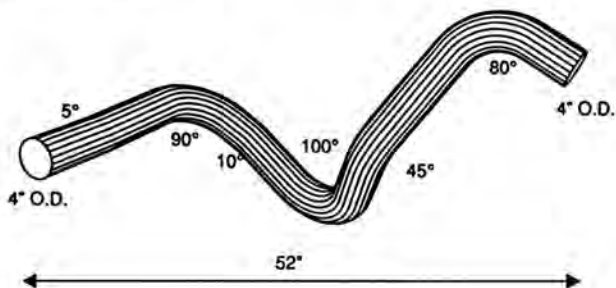
### EXHAUST PIPE

**AUTO-JET PART NO.:** 5A212F

Replaces Ford Part No. E2HZ5A212F

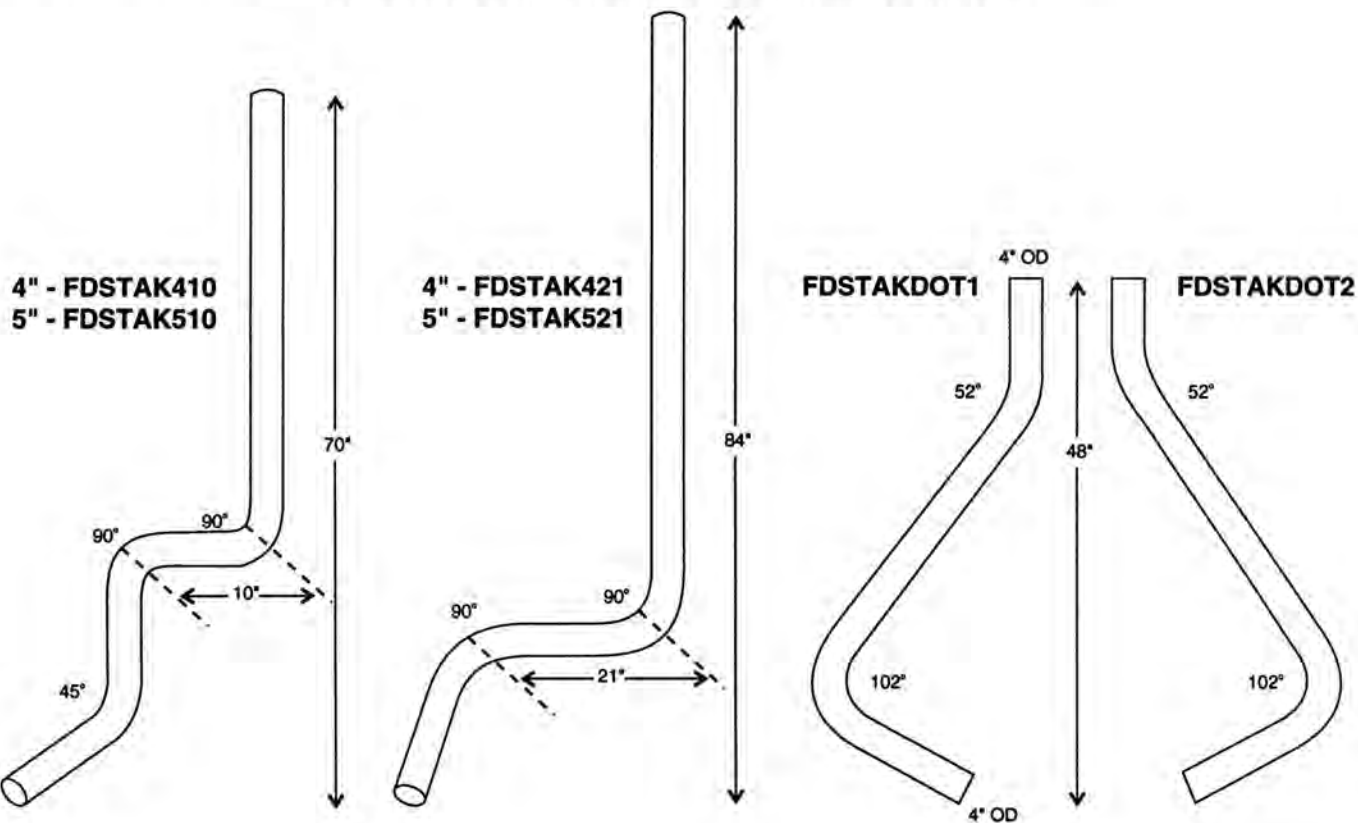
Caterpillar 3208T Engines L-LT-LTS 8000 Series

Nelson 90990



## FORD STACKS

FOR TRUCKS WITH HORIZONTAL MUFFLERS  
INCLUDING STATE HIGHWAY DEPARTMENT TRUCKS.



**AUTO-JET MUFFLER CORP.**

TOLL FREE 1-800-247-5391 • FAX 515-224-0727 • WWW.AUTO-JET.COM

**FORD 5**

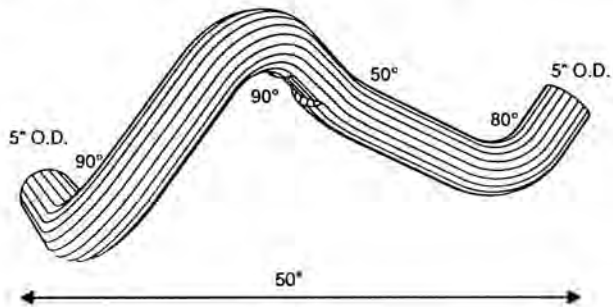


# FORD EXHAUST COMPONENTS

## ACCESSORIES / REPLACEMENT PARTS

### AUTO-JET PART NO.: 99290L

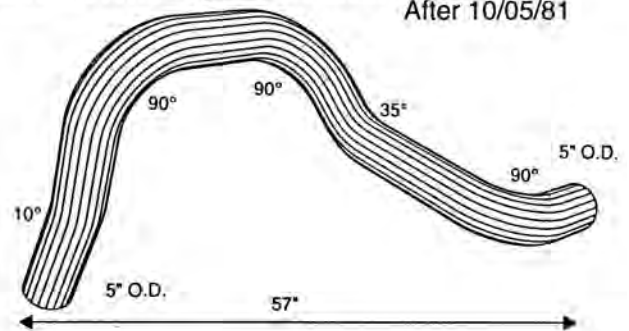
Replaces Ford Part No. EOHZ5A212F  
Cummins NTC Engines LN-LNT 9000 Series



### EXHTENSION

### AUTO-JET PART NO.: 92190L

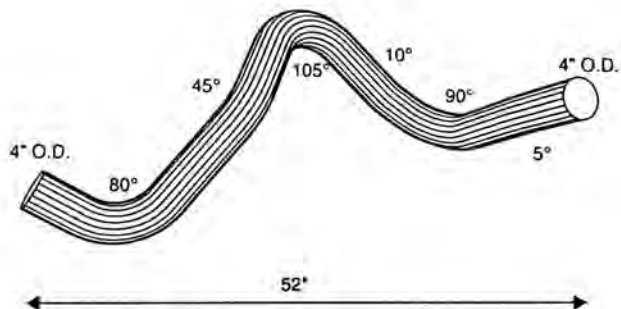
Replaces Ford Part No. E2HZ5A212B  
Cummins NTC Engines LTL 9000 Series  
After 10/05/81



### EXTENSION

### AUTO-JET PART NO.: 5A212B

Replaces Ford Part No. E0HZ5A212B  
Caterpillar 3208N Engines L-LT-LTS 8000 Series

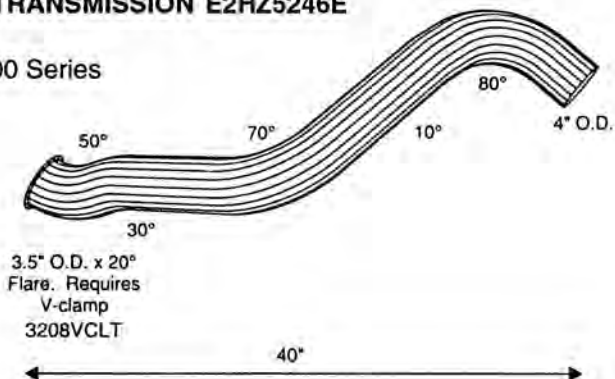


### INLET PIPE

AUTO-JET PART NO.: 46848G - AUTOMATIC TRANSMISSION E2HZ5246D  
46948G - STANDARD TRANSMISSION E2HZ5246E

Caterpillar 3208T Engines L-LN-LNT-LT-LTS 8000 Series

3208VCLT



## AUTO-JET MUFFLER CORP.

TOLL FREE 1-800-247-5391 • FAX 515-224-0727 • WWW.AUTO-JET.COM

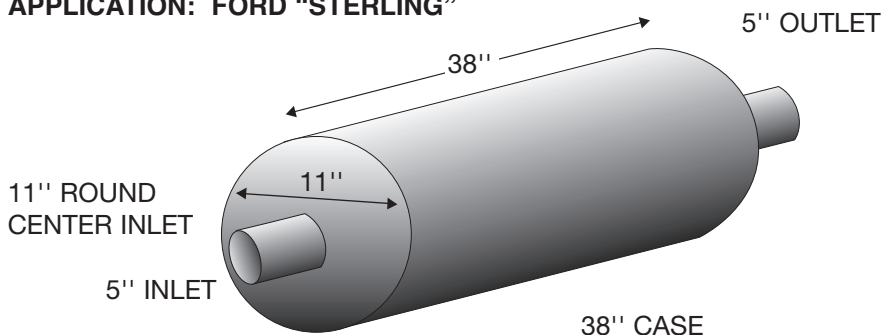
**FORD 6**

# FORD MUFFLERS

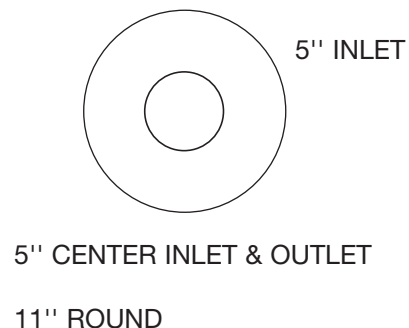


## CENTER INLET

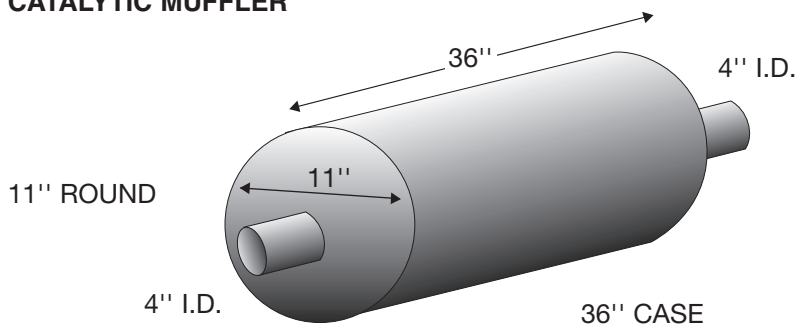
**AUTO-JET PART NO.:** 11-0045  
**APPLICATION:** FORD "STERLING"



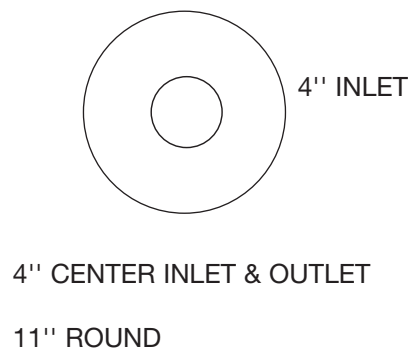
### INLET END VIEW



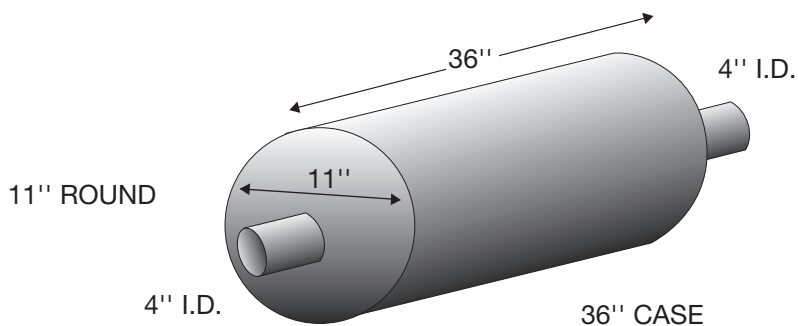
**AUTO-JET PART NO.:** 400FDCAT  
**FORD PART NO.:** F7HZ5F250Y  
**APPLICATION:** B-SERIES CUMMINS DIESEL  
**CATALYTIC MUFFLER**



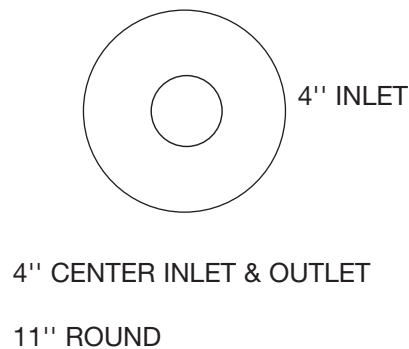
### CATALYTIC MUFFLER



**AUTO-JET PART NO.:** 400FDCATC  
**APPLICATION:** C-SERIES CUMMINS DIESEL  
**CATALYTIC MUFFLER**



### CATALYTIC MUFFLER



## AUTO-JET MUFFLER CORP.

TOLL FREE 1-800-247-5391 • FAX 515-224-0727 • WWW.AUTO-JET.COM

**FORD 7**



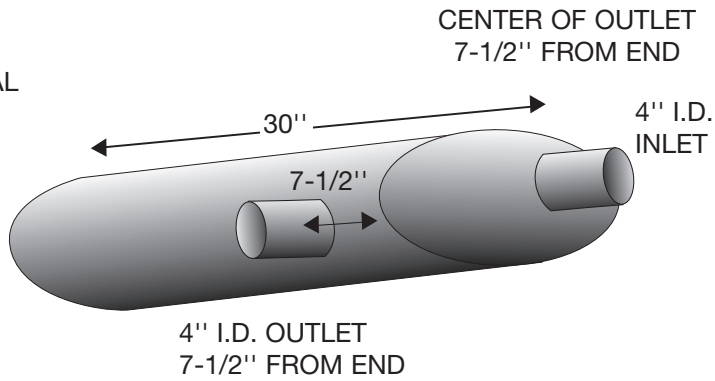


# FORD MUFFLERS

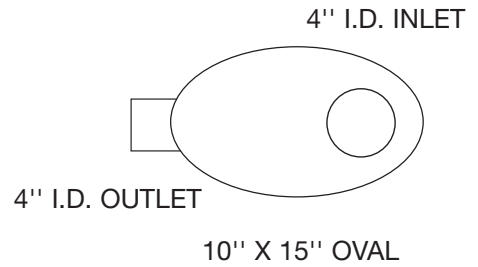
## SIDE OUTLET

**AUTO-JET PART NO.: CUS-133-01**

10" X 15" OVAL  
30" CASE

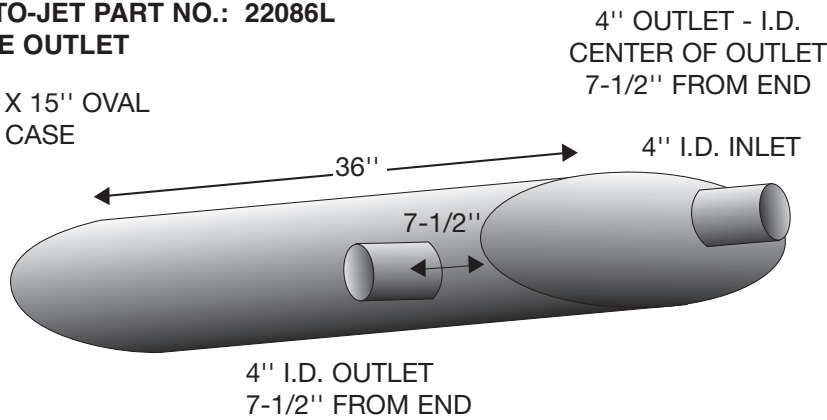


**INLET END VIEW**

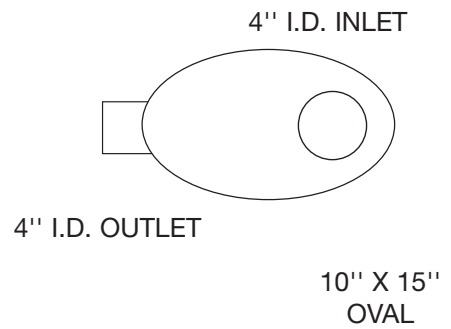


**AUTO-JET PART NO.: 22086L**  
**SIDE OUTLET**

10" X 15" OVAL  
36" CASE

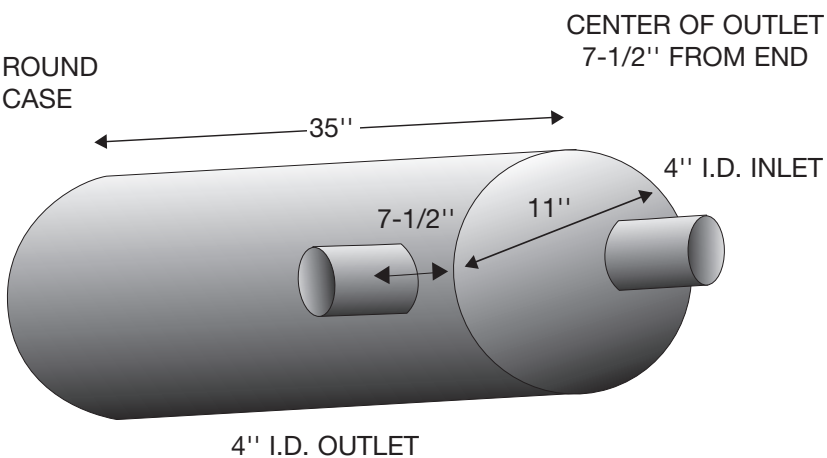


**INLET END VIEW**

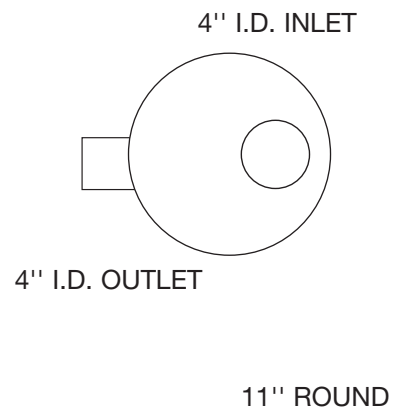


**AUTO-JET PART NO.: 11-0010**

11" ROUND  
35" CASE



**INLET END VIEW**



### AUTO-JET MUFFLER CORP.

TOLL FREE 1-800-247-5391 • FAX 515-224-0727 • WWW.AUTO-JET.COM

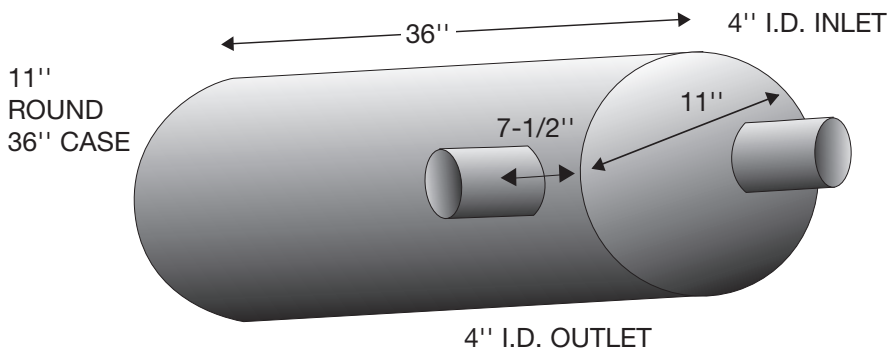
**FORD 8**

# FORD MUFFLERS

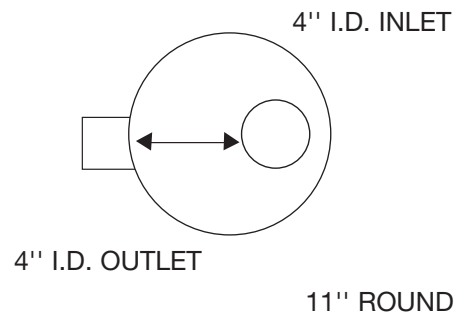


## SIDE OUTLET

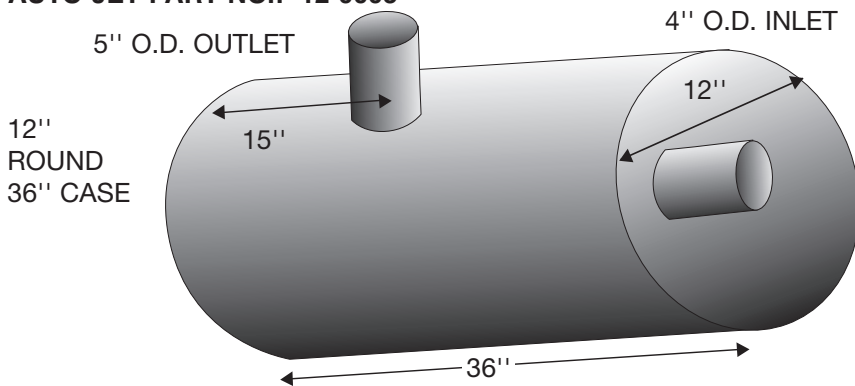
**AUTO-JET PART NO.: 11-0010 HEAVY DUTY**      CENTER OF OUTLET 7-1/2" FROM END



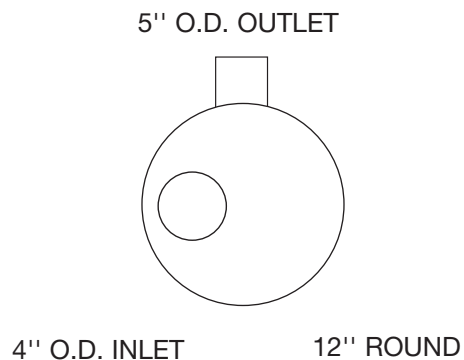
**INLET END VIEW**



**FORD L-SERIES**  
**AUTO-JET PART NO.: 12-0005**

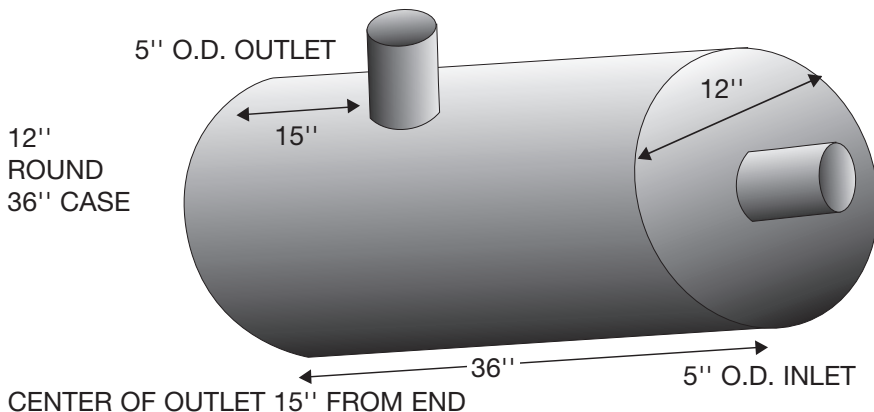


**INLET END VIEW**

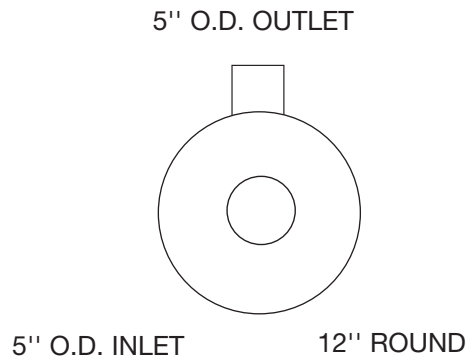


CENTER OF OUTLET 15" FROM END

**FORD L-SERIES**  
**AUTO-JET PART NO.: 12-0010 HEAVY DUTY**



**INLET END VIEW**



**AUTO-JET MUFFLER CORP.**

TOLL FREE 1-800-247-5391 • FAX 515-224-0727 • WWW.AUTO-JET.COM

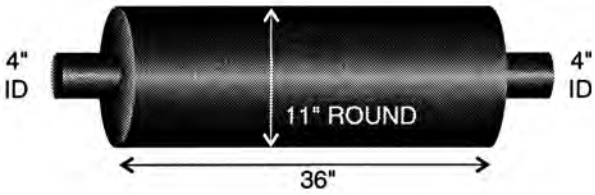
**FORD 9**



# FORD MUFFLERS

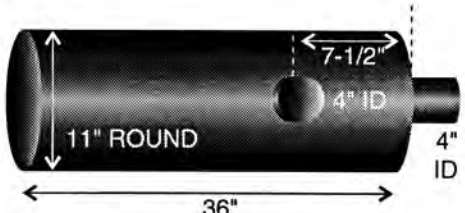
## NON-CATALYTIC CONVERTER MUFFLERS

**PART #: 11-0025**



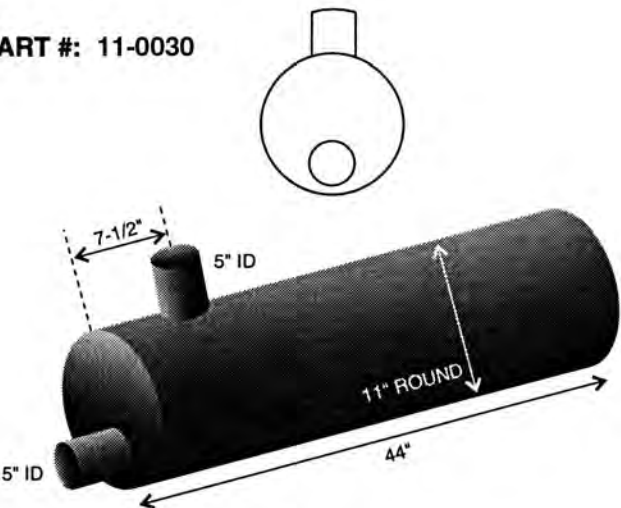
**Center In - Center Out**

**PART #: 11-0035**

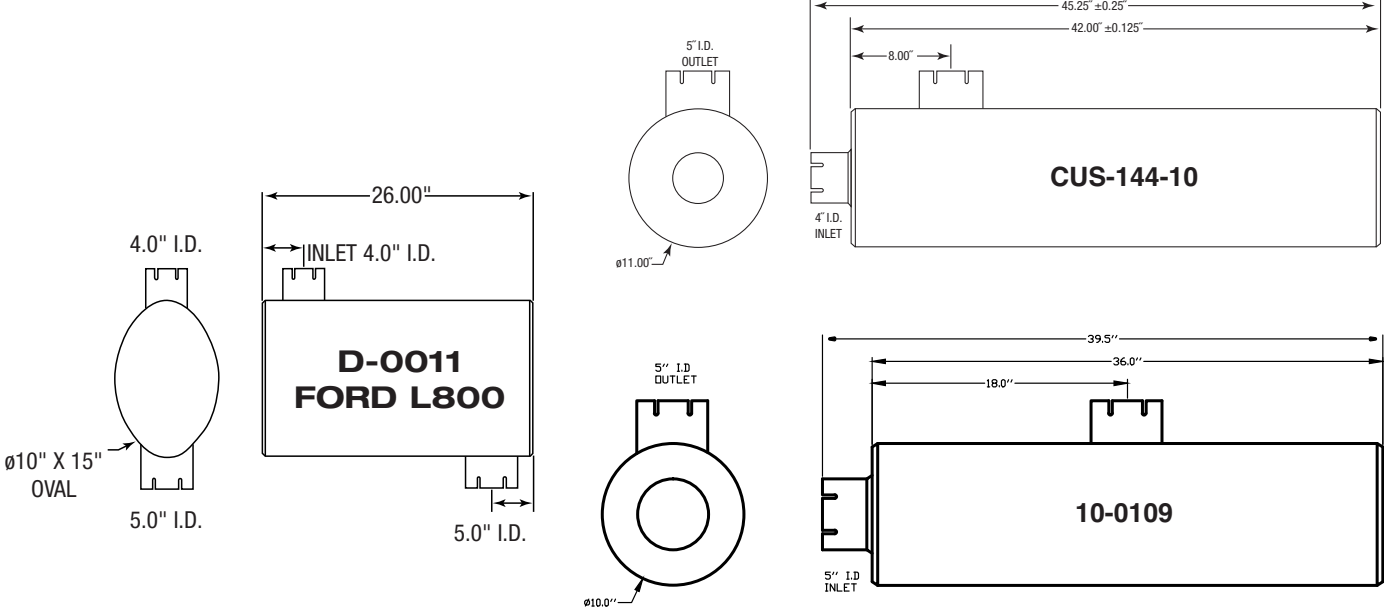
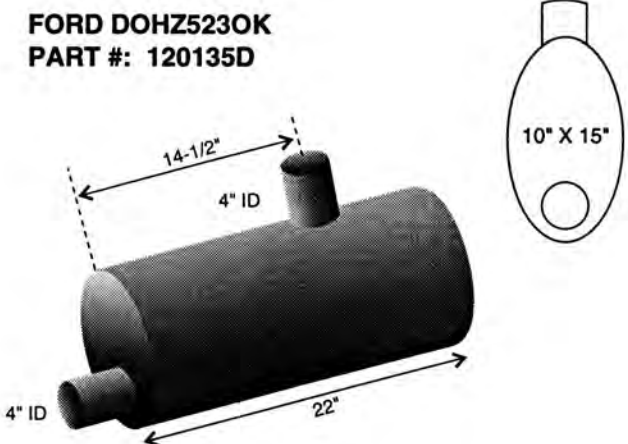


**Center In - Side Out**

**PART #: 11-0030**



**FORD DOHZ523OK  
PART #: 120135D**



### AUTO-JET MUFFLER CORP.

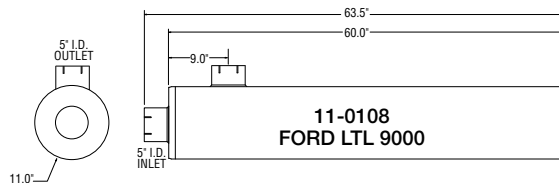
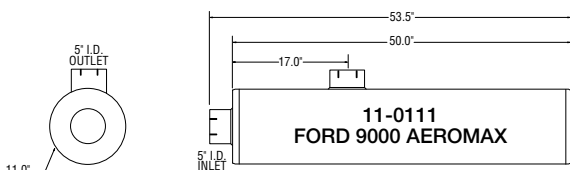
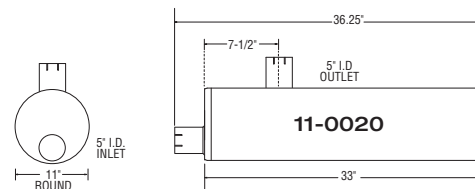
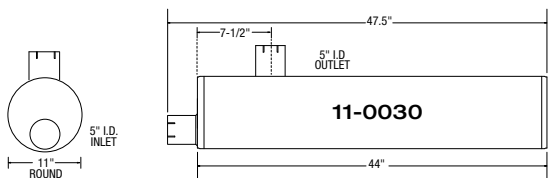
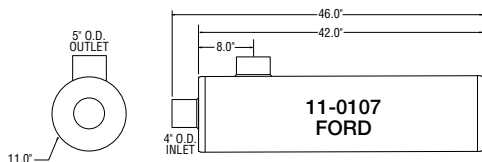
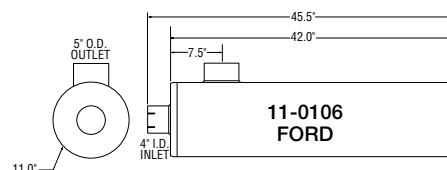
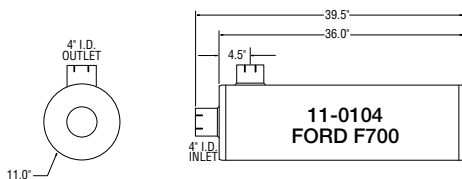
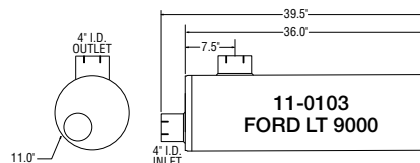
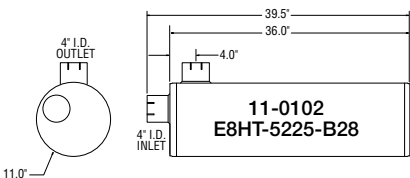
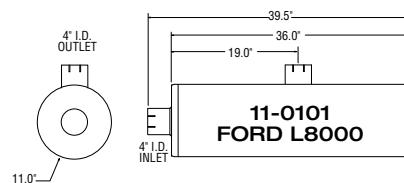
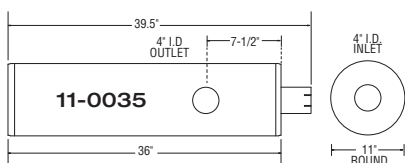
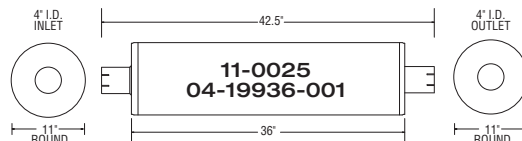
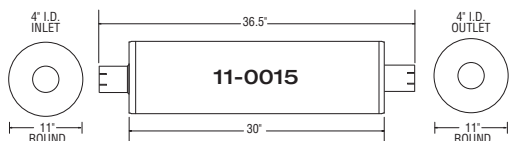
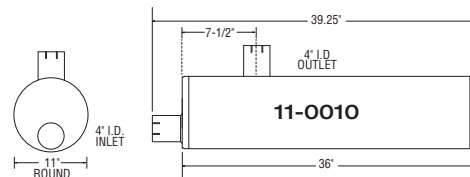
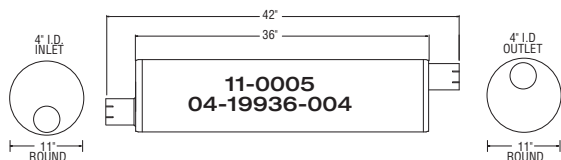
TOLL FREE 1-800-247-5391 • FAX 515-224-0727 • WWW.AUTO-JET.COM

**FORD 10**

# FORD MUFFLERS



## FORD 11" DIAMETER MUFFLERS



OE part numbers are for cross reference only

**AUTO-JET MUFFLER CORP.**

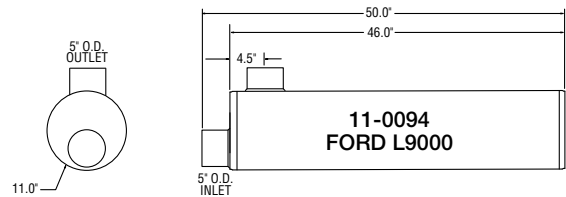
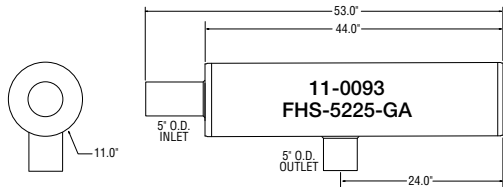
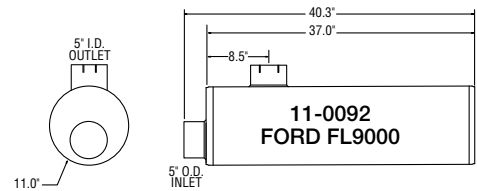
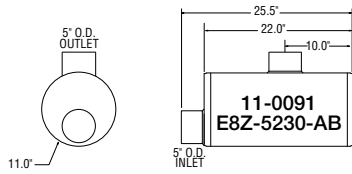
TOLL FREE 1-800-247-5391 • FAX 515-224-0727 • WWW.AUTO-JET.COM

**FORD 11**



# FORD MUFFLERS

## FORD 11" DIAMETER MUFFLERS



Please note Ford mufflers may also be used on Freightliner and Sterling trucks.

<b>Auto-Jet #</b>	<b>Sterling/Freightliner #</b>
11-0005	04-19936-004
11-0050	04-20628-001
11-0065	04-20831-000
11-0085	04-18814-007
11-0090	04-17815-001
11-0095	04-19131-005
CUS-106-09	04-22804-000
CUS-175-08	04-20185-000
STER300T	F8HT5246NA
50032E	F6HZ5255AAA
STER3126T	XC455246BA
STERFMMD	F6HZ5A212FA
FDSTAK510	F7HZ5255AAA
F6MOPJ	E7HZ5255D
5A212C	E2HZ5A212C
5A212F	E2HZ5A212F
99290L	EOHZ5A212F
92190L	E2HZ5A212B
5A212B	E0HZ5A212B
46848G	E2HZ5246D
46948G	E2HZ5246E
400FDCAT	F7HZ5F250Y
FRLMH919	A04-20919-000
FRLMH919	A04-20920-000
FRL11MH	A04-17998-001
FRL11MH02	A04-19205-001
FRLMHRUB	04-19919
66F81TURBO	E7HZ5246A

**AUTO-JET MUFFLER CORP.**

TOLL FREE 1-800-247-5391 • FAX 515-224-0727 • WWW.AUTO-JET.COM

**FORD 13**